

Bedroom Sounders

Exclusively distributed by Vimpex, the Hosiden Besson Bedroom Sounders complement Vimpex's range of electronic warning devices that currently serve the fire market.

Meeting the requirements for BS5839 part 1, the Bedroom Sounder range is well suited to hotels and residential environments where aesthetics is a prime concern.

The Bedroom Sounders continue to offer the high standard of styling and design associated with Vimpex's existing range.



Features

- Designed for fire applications in hotels and residential environments
- Low current consumption
- Dual sound option - 'Continuous' and 'Fast Sweep' - selected via a jumper switch
- Flush and surface mounted versions
- Robust terminal connectors to accommodate up to 2.5mm² cable

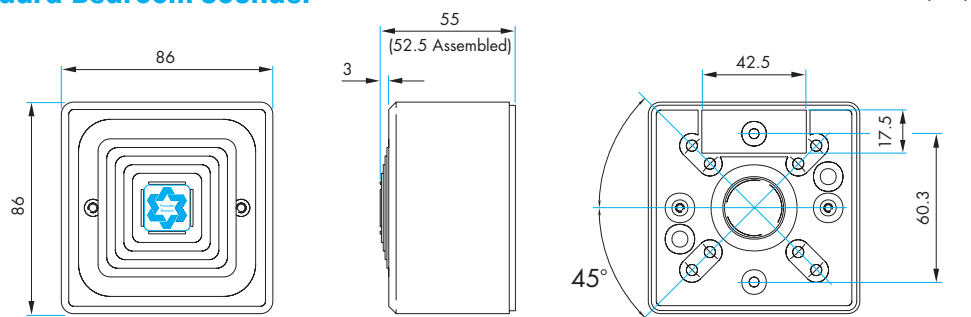


Specification

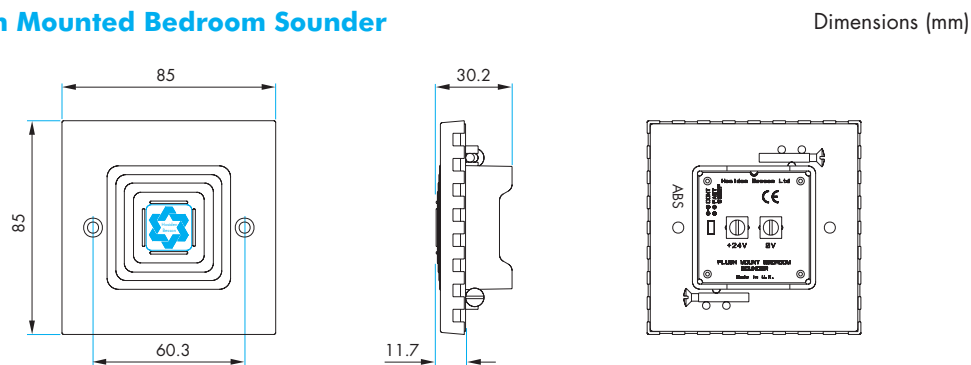
Model	Surface Mount	Flush Mount
Rated Voltage	24 Vdc	24 Vdc
Rated Current (typical)	14 mA	7 mA
Sound Output (typical) dBA @ 1M	96 (min 60)	90
Sounds Available: Fast Sweep	800-950Hz swept at 9Hz	750-850Hz swept at 9Hz
Continuous	850Hz	815Hz
Colours (Part No.)	White (8481500)	Red(8489100)/White (8489000)
Material	High impact ABS	Flame retardant ABS
Installation	Surface mounted Rear or side cable entry	Surface or flush mounted using 25 mm deep patress box
Connections	2 in, 2 out, each 2.5mm ² max	2 in, 2 out, each 2.5mm ² max

Installation

Standard Bedroom Sounder



Flush Mounted Bedroom Sounder

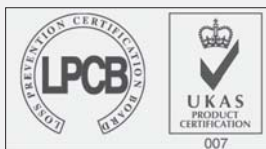


VIMPEX

Vimpex Ltd

Star Lane, Great Waking
Essex, SS3 0PJ England.
Tel: +44 (0) 1702 216999
Fax: +44 (0) 1702 216699
E-mail: sales@vimpex.co.uk

www.vimpex.co.uk



Quality System Certificate No. 456
Assessed to ISO 9001:2000



We reserve the right to change or amend any design or specification in line with our policy of continuing development and improvement.

Part No: DS/BEDR/ISS 4

Other Products and Accessories



- Fire-Cryer® Voice Enhanced Sounders
- Electronic Sounders
- Fire Alarm Bells
- Beacons and Strobe Lights
- Sounder Accessories & Fire System Ancillaries
- Stopper Range of Vandal Deterrent Products
- Water Leakage Detection Systems