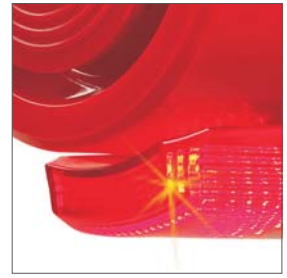


# Easy AV™ Smart Strobe Conversion

Ideal upgrade  
for  
**FIRE CRYER**  
Voice Sounder



DATASHEET

**VIMPEX**

Shaping Alarm Technology

# The Smart Strobe Conversion

Easy AV™ is the smart way to convert existing installations of Besson's Banshee and Bedlam† as well as Fulleon's Roshni\* sounders to DDA-compliant sounder/strobes. The Easy AV™ is an ingenious strobe ring that retrofits onto Banshee and Roshni products without the need to remove the existing wall mounted base or change the wiring. It is also fully compatible with the Fire-Cryer® Voice Sounder.



Fulleon Roshni\*



Besson Banshee†



Easy AV™ Strobe Ring

The Easy AV™ is supplied with handy flying leads that allow quick and easy installation in less than 3 minutes - all you need is a screwdriver.

Easy AV™ incorporates a high output dual strength LED strobe that makes it a cost-effective solution for DDA compliance. As it is powered from the sounder circuit, Easy AV™ requires no additional power supplies. Its low current consumption means that in most cases the existing sounder circuit supply current will be sufficient without the need to upgrade power supplies.

The universal EasyAV™-U is available for upgrading existing fire alarm bells and will also fit the majority of other electronic fire sounders on the market.



Easy AV™-U

## Features

- Easy to install in less than 3 minutes
- No need to replace existing sounder, base or wiring
- High output dual strength LED strobe
- Unique solution for DDA compliance
- Selectable flash mode and rate
- Three versions available to fit
  - Besson Banshee and Bedlam†
  - Fulleon Roshni\*
  - Universal, for bells and other sounders



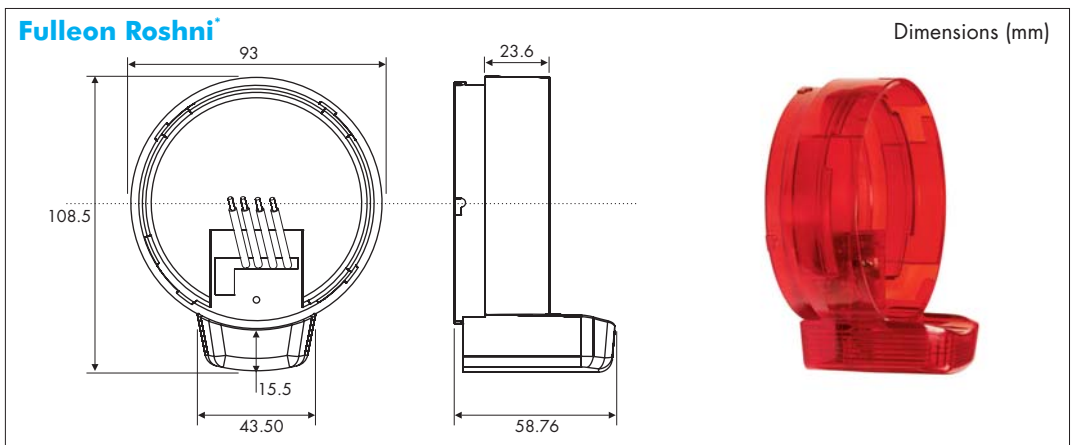
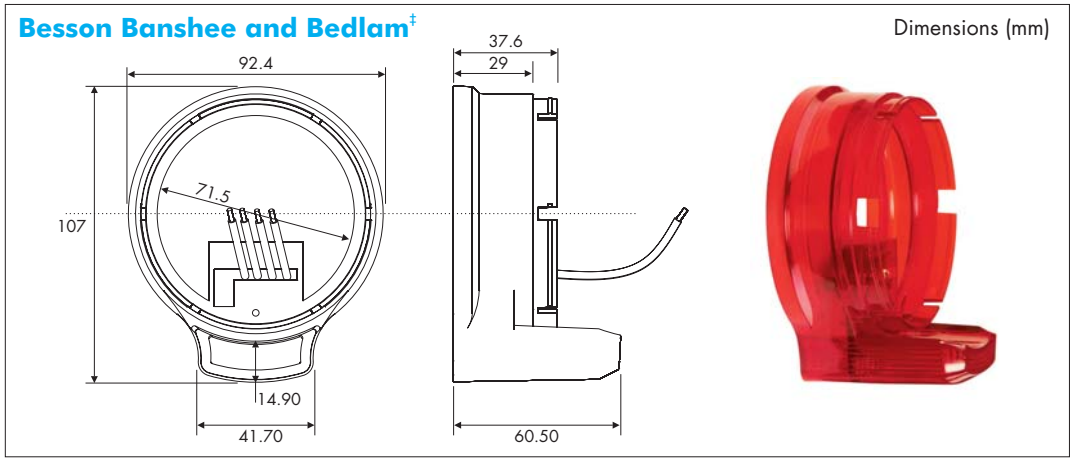
†Banshee and Bedlam are trademarks of Hosiden Besson Ltd  
\*Roshni is a trademark of Fulleon Ltd

It's as Easy as 1-2-3

# Specification - Easy AV™

Product Code	EASY AV-B  EASY AV-R 
	Besson Banshee/Bedlam <sup>†</sup> Fulleon Roshni <sup>‡</sup>
Rated Voltage	9 - 30Vdc
Rated Current @24V	2.5 - 6.0mA
Flash Output	Low: 1W, High: 2W - Selectable (Equivalent Xenon output)
Flash Frequency	1Hz or 1.5Hz - Selectable
IP Rating (minimum)	IP43 to IP65, depending on product and base type
Temperature Range	-25 to +55°C
Weight	150g
Colour	Translucent Red
Construction	V0 Thermo Plastic


## Installation



<sup>†</sup>Banshee and Bedlam are trademarks of Hosiden Besson Ltd

<sup>‡</sup>Roshni is a trademark of Fulleon Ltd

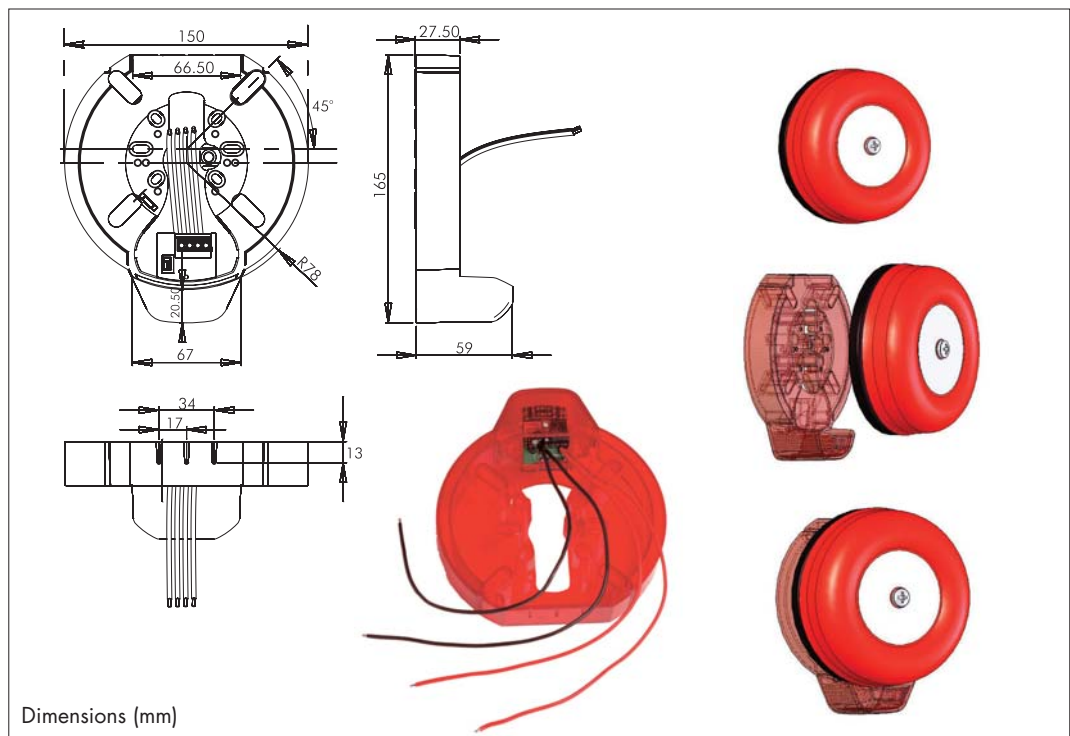
# Specification - Easy AV™ -U

Model No.	EASY AV™-U 
Rated Voltage (Vdc)	9 - 32, Nominal 24V
Average Current @24V (mA)	See table below
Flash Rate (Hz) - Selectable	1 or 1.5
Flash Colour	Red, 625nm - 640nm wavelength
Flash Output (Watts) - Selectable	Low: 1W, High: 2W
Temperature Range (°C)	-25 to 70
Cable Monitoring	Loop through wiring provides full open/short circuit monitoring
Terminal Size (mm <sup>2</sup> )	0.28 to 2.5 conductor

## Selectable Modes:

LK1	LK2	Flash Rate (Hz)	Flash Output	Average Current @24V (mA)
Fitted	Fitted	1	Low	3.5
Fitted	Not Fitted	1.5	Low	4
Not Fitted	Fitted	1	High	4.8
Not Fitted	Not Fitted	1.5	High	6

## Installation



**VIMPEX**

### Vimpex Ltd

Star Lane, Great Wakering  
Essex, SS3 0PJ England.

Tel: +44 (0) 1702 216999

Fax: +44 (0) 1702 216699

E-mail: sales@vimpex.co.uk

[www.vimpex.co.uk](http://www.vimpex.co.uk)



Quality System Certificate No. 456  
Assessed to ISO 9001:2000



We reserve the right to change or amend any design or specification in line with our policy of continuing development and improvement.

Part No: DS/EASYAV/ISS 3

## Other Products and Accessories



- Fire-Cryer® Voice Enhanced Sounders
- Electronic Sounders
- Fire Alarm Bells
- Beacons and Strobe Lights
- Sounder Accessories & Fire System Ancillaries
- Stopper Range of Vandal Deterrent Products
- Water Leakage Detection Systems