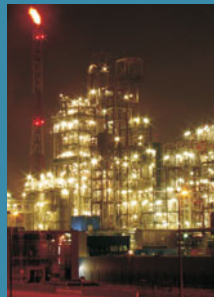


# VIMPEX

## Hazardous Area Alarm Products



Hazardous Area

Evacuation

Sounders

Strobes

ATEX

Explosion Proof

Intrinsically Safe

Barriers

Beacons

# Banshee IS28 MK5 Intrinsically Safe Sounder

With 32 high and low frequency tones to suit a wide range of applications.

ATEX and IECEx approved for use in Zones 0 and 20 (Gas and Dust) and is suitable for use in zones 0, 1, 2, 20, 21 and 22.

The product should only be connected to the fire alarm system via an approved galvanic isolator or zener barrier. These devices are available from VimpeX along with a suitable enclosure.

## Features

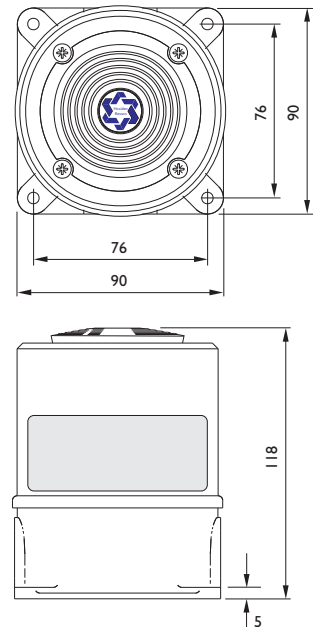
- Based on the world class Hosiden Besson Banshee Sounder
- Gas and Dust Approvals
- 32 Tones
- Volume control via DIP Switch
- High output
- Low Current Consumption
- IP66 Rated



## Specification

Ordering Code:	8655000 or 8655100 for Group I TSA approved product
Power Supply:	24 Vdc
Typical Current:	15 mA (high frequency tones), 11 mA (low frequency tones) (@24 Vdc via a 28 V 300 Ω barrier)
Output @ 1 m:	100 dBA (high frequency) 92 dBA (low frequency)
Intrinsic Safety Approval:	IEC60079-0:2007-10 Edition 5 IEC60079-11: 2006 Edition 5 IEC60079-26: 2006 Edition 2 IEC61241-11: 2005 Edition 1 Group II, Category I, Explosive Atmosphere G (Gas) and D (Dust) IECEX ITS10.0050X IECEX TSA 06.0026X (Ordering Code 8655100 only) Ex ia IIC T5 Ga Ex ia IIIC T100degC Da IP66 ATEX - II IGD Ex ia T5 Ga
Installation:	Connection must be made via a certified galvanic isolator or zener barrier with output parameters not exceeding $U=28\text{ V}$ , $I_i=93\text{ mA}$ , $P_i=0.65\text{ W}$ , $L_i=0$ , $C_i=0$ . The output current of the barrier must be limited by resistor 'R' such that $I_i=U_i/R$ .
Suitable for Zones:	0, 1, 2, 20, 21 and 22
Operating Temperature:	-40 to +70 °C
IP Rating / Material:	IP66 / ABS
Weight:	0.6 kg

## Dimensions (mm)



Please refer to drawing No. 81622 Iss A for the IS28 wiring specification.

# Explosion Proof Sounders & Strobes

The Yodalex range of explosion-proof sounders and strobes offers the ruggedness and reliability essential for use in hazardous areas yet the flexibility of combination and lens colour for diverse applications.

One housing offers three options: sounder (Y06), strobe (V6) or combined sounder/strobe (YL6). The lens cover on the strobe or sounder/strobe combination can be changed without jeopardising the integrity of the flame-proof housing.

## Features

- Omni-directional sound output - 110 dB
- Unique product combinations
- Low current
- Dual cable entry - cable in/out
- 32 tones for international applications
- Interchangeable lens in 7 colours
- Lens guard fitted as standard

## Standards

### European:

EN50014:1997+Amendments 1 & 2

EN50018: 2000, EN50281-1-1:1998

ATEX Directive 94/9/EC:

Baseefa02ATEX0212X  $\text{Ex}$  II2 GD EEx d IIB T4 (Tamb -35C to +60C)

Baseefa02ATEX0222X  $\text{Ex}$  II2 GD EEx d IIB+H2T4 (Tamb -20C to +60C)

### UL Standards:

UL 1203, UL 464, UL 1638

Control No. 8N30 (Y06 & YL6) 13JM (V6)

UL Classifications:

Class I Division 1, Gas Groups BCD

Class II Division 1, Gas Groups EFG (V6 only)

## Specification

Model:	Sounder (Y06)	Strobe (V6)	Combined (YL6)
Part No.*(see below for codes):	YA60-x-x-x	FL60-x-x-x-x	YL60-x-x-x-x
Rated Voltage:	24 Vdc, 115 Vac or 230 Vac		
Rated Current:			
(@24 Vdc/115 Vac/230 Vac):	350/80/40 mA	220/70/40 mA	570/150/80 mA
Sound Output (dBA@1m):	110	-	110
Strobe: Flash rate	-	1 per second	
Flash energy	-	5 Joules	
Lens material	-	Flame retardant polycarbonate in 7 colours	
Lens colour	-	clear, opal, yellow, red, amber, blue & green	
Operating Temperature: IIB only		-35 to +66 °C	
Class II Div I		-25 to +66 °C	
European IIB+H <sub>2</sub>		-20 to +66 °C	
IP Rating:	IP 66 - NEMA 4X		
Enclosure (Fastenings stainless steel):	Body: LM6 aluminium alloy, red 2 part epoxy coating Horn: flame retardant ABS, Glass Dome: toughened glass		

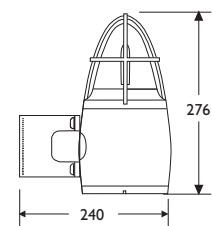
\* Part No. code: x - x - x - x ← Certification: E-European, UL- United States/Canada

↑ Lens Colour: A-Amber, B-Blue, G-Green, O-Opal, R-Red, Y-Yellow, C-Clear  
 ↑ Rated Voltage: D-24 Vdc (UL/ATEX), L-115 Vac (ATEX), N-230 Vac (ATEX)  
 ↑ Gas Group - EUROPE: B- IIB, C- IIB+H<sub>2</sub> USA: B- Gas Group B, C- Gas Group C,D

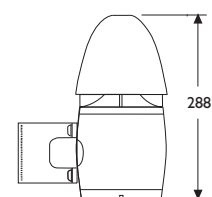


## Dimensions (mm)

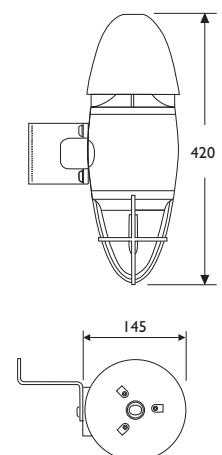
### V6 Strobe



### Y06 Sounder



### YL6 Combined Sounder & Strobe

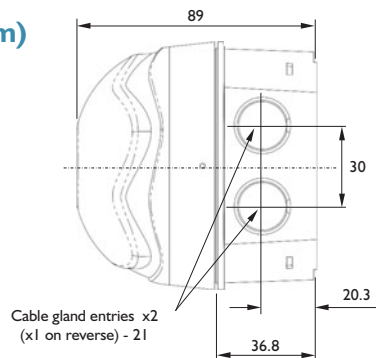


# Intrinsically Safe Beacon

The IS FlashDome is an intrinsically safe beacon for use in hazardous areas. Certified to ATEX and IEC Ex, the IS FlashDome is designed for use in Zones 0, 1 & 2.

In order to be intrinsically safe, the IS FlashDome must be powered via an approved 28 V 300 Ω zener barrier or galvanic isolator. Suitable barriers and isolators are available from VimpeX.

## Dimensions (mm)



## Specification

Ordering Code:	8645700
Power Supply:	15 - 28 Vdc
Current:	5 mA (@24 Vdc via a 28 V 300Ω barrier)
Flash Frequency:	1 Hz (1 flash/second)
Intrinsic Safety Approval:	EN 60079-0:2004, N60079-26:2004, EN50020:2002* II 1G EEx/Ex ia IIC T4 (-40°C < Ta < +70 °C) II 1G EEx/Ex ia IIC T5 (-40°C < Ta < +40 °C) ITS06ATEX25407X IEC Ex ITS06. 0018X WEEE Compliant
Installation:	Connection must be made via a certified galvanic isolator or zener barrier with output parameters not exceeding $U_i=28V$ , $I_i=93mA$ , $P_i=0.66W$ . The output current of the barrier must be limited by resistor 'R' such that $I_i=U_i/R$
Suitable for Zones:	0, 1, 2
Operating Temperature:	-40 to +70 °C
IP Rating / Material:	IP66 / Body - Flame retardant ABS Lens - Polycarbonate
Weight:	0.14 kg

\* Except in respect of those requirements referred to at item 18 of Intertek certificate no. ITS06ATEX2540X

## Barriers & Isolators

DIN rail mounted MTL galvanic isolators and zener barriers for use with both the IS28 sounder and the IS FlashDome beacon are available from VimpeX.



### ECO-90-PC

Enclosure for 2 Galvanic Isolators or 3 Zener Barriers.

## Ordering Codes

1 Channel Galvanic Isolator:  
PF-KFDO-SD2-Ex1.1045

2 Channel Galvanic Isolator:  
PF-KFDO-SD2-Ex2.1045

Zener barrier:  
PF-Z978

Note: Galvanic isolators do not allow for reverse-polarity monitoring.

## VimpeX Limited

Star Lane, Great Wakering  
Essex SS3 0PJ England  
Tel: +44 (0) 1702 216999  
Fax: +44 (0) 1702 216699  
E-mail: sales@vimpeX.co.uk  
[www.vimpeX.co.uk](http://www.vimpeX.co.uk)

DS/EXIS/ISS 12



**VIMPEX**  
Shaping Alarm Technology