

Power Supply Units

The VimpeX range of low cost general purpose boxed PSUs are suitable for use with our wide range of BS EN1155 approved Door Holders and other 24VDC devices.

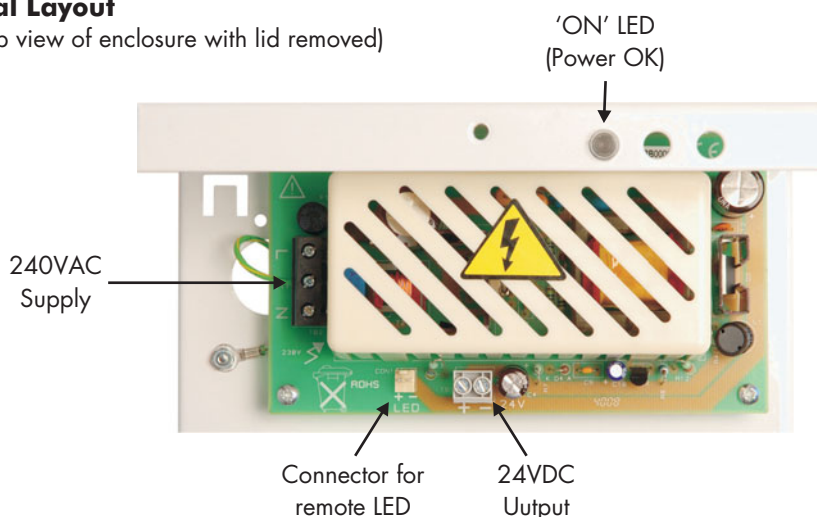
Three boxed 24VDC general purpose power supplies are available:

- 1 Amp (Order code: VPSU-01)
- 2 Amp (Order code: VPSU-02)
- 3 Amp (Order code: VPSU-03)



Internal Layout

(Front top view of enclosure with lid removed)



VIMPEX

Vimpex Ltd

Star Lane, Great Waking
Essex, SS3 0PJ England.
Tel: +44 (0) 1702 216999
Fax: +44 (0) 1702 216699
E-mail: sales@vimpex.co.uk

www.vimpex.co.uk



Quality System Certificate No. 456
Assessed to ISO 9001:2000



We reserve the right to change or amend any design or specification in line with our policy of continuing development and improvement.

Part No: DS/PSU/ISS 1

Specification

Power Supply	Type A, Ungraded, Environmental Class 2
AC Input voltage	230v +10% -15%, 50Hz ± 15%
AC Input fuse	20mm anti-surge fuse rated at:
VPSU-01	230VAC, 1A
VPSU-02	230VAC, 2A
VPSU-03	230VAC, 3A
Output voltage	24VDC nominal
Output ripple	Less than 100mV
Operating temperature range	-10°C to +40°C
Size (H x W x D)	230 x 170 x 100 mm
Weight	2.0 Kg

VIMPEX

Shaping Alarm Technology