

TriTone Sounder

The Hosiden Besson TriTone sounder is a highly efficient, low current, 3 tone sounder with EN54 Part 3 approval.

Efficient acoustics using piezo technology means that the TriTone emits a high quality tone with minimal power consumption.

These economic sounders are suitable for a variety of fire and general signalling applications. The choice of both low profile or deep bases gives flexibility to installers.



Features

- EN54 Part 3 and Kitemark approved
- Compliant with the Construction Products Directive
- Suitable for internal use as a Type 'A' sounder
- Highly efficient - typically only 5mA
- Three user-selectable tones



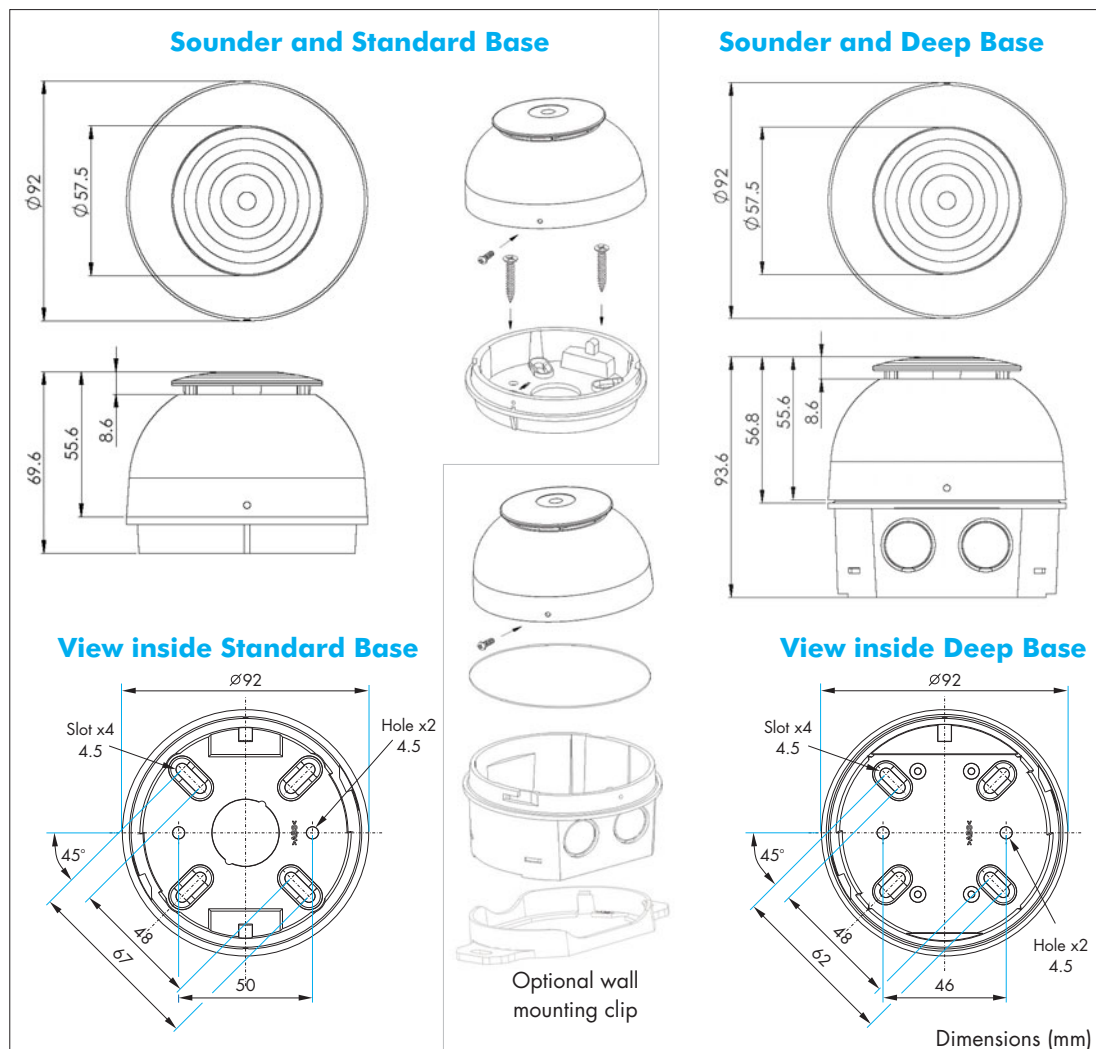
BS EN54-3
KM 515291



Ordering Code	8200100 (Shallow base), 8200101 (Deep base)
Operating Voltage	20 - 28Vdc
Current Consumption @24V	7mA (typical)
Body Colour	Red
Temperature Range	-20 to +60°C
IP Rating	IP45
Volume @1m	87.5dB(A)
Tones	Fast Sweep: 800Hz to 970Hz swept at 9Hz Medium Sweep: 800Hz to 970Hz swept at 3Hz Slow Sweep: 800Hz to 970Hz swept at 1Hz
Connections	Screw terminals for 0.28mm ² to 2.5mm ²

Note: For full sound output data please refer to document 8200100MD which is available on request.

Installation



VIMPEX

Vimpex Ltd

Star Lane, Great Wakering
Essex, SS3 0PJ England.
Tel: +44 (0) 1702 216999
Fax: +44 (0) 1702 216699
E-mail: sales@vimpex.co.uk

www.vimpex.co.uk



Quality System Certificate No. 456
Assessed to ISO 9001:2000



We reserve the right to change or amend any design or specification in line with our policy of continuing development and improvement.

Part No: DS/TRI/ISS 2



Other Products and Accessories

- Fire-Cryer® Voice Enhanced Sounders
- MT Range of Electronic Sounders
- Fire Alarm Bells
- Beacons and Strobe Lights
- Sounder Accessories & Fire System Ancillaries
- Stopper Range of Vandal Deterrent Products
- Water Leakage Detection Systems