

# TriTone Lite Sounder/Beacon

TriTone Lite combines a highly efficient, low current, 3 tone sounder with a beacon that uses ultra-efficient LEDs. It is ideal for use in fire alarm systems designed to comply with, or need upgrading, for conformity to DDA requirements.



Efficient acoustics using piezo technology means that the TriTone Lite emits a high quality tone with minimal power consumption.

The TriTone Lite is compatible with the same shallow and deep bases used in the Banshee<sup>MT</sup> range.

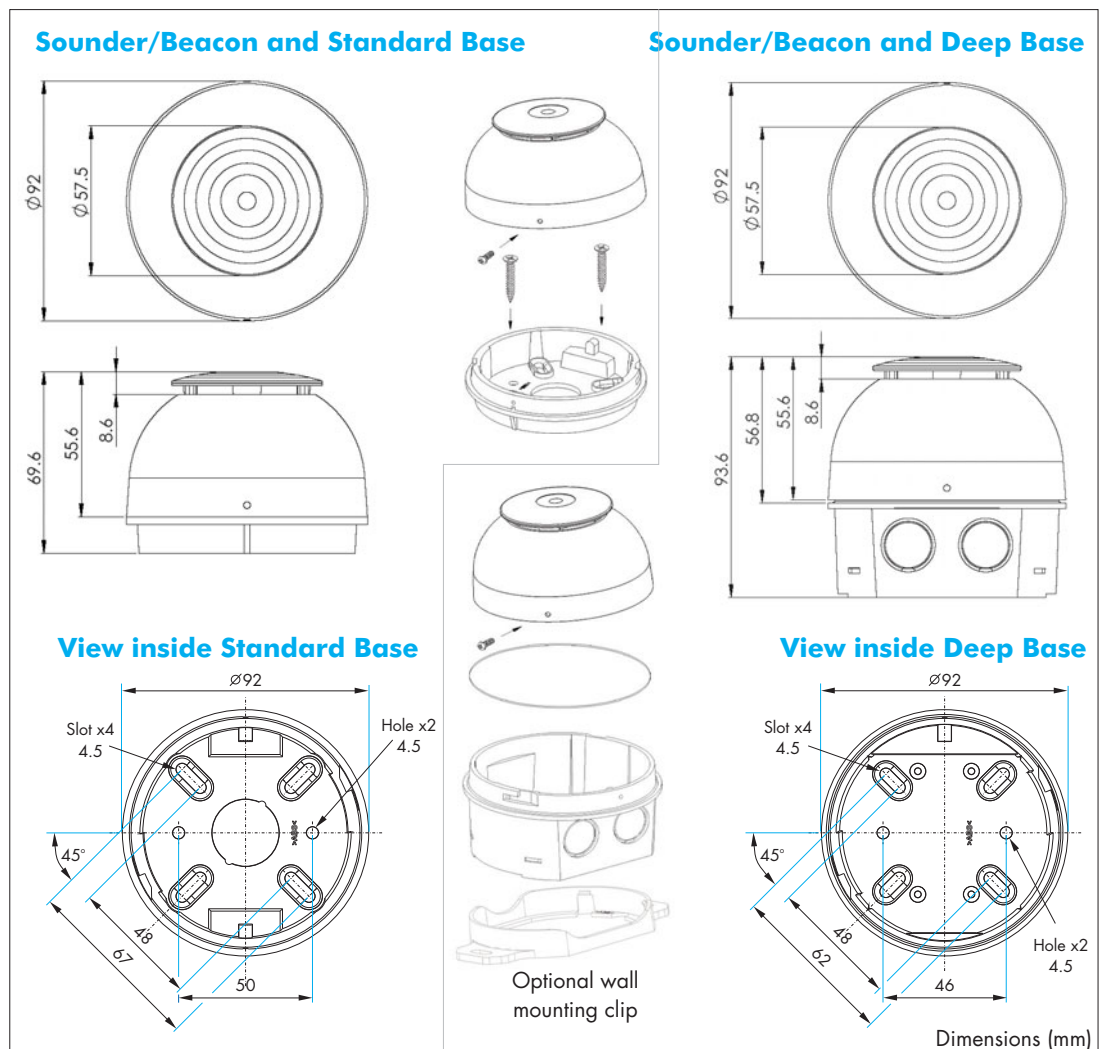
## Features

- Very Low Current
- Common bases to Banshee<sup>MT</sup> range
- Easy installation

Ordering Code	8200400 (Shallow base), 8200401 (Deep base)
Operating Voltage	20 - 28Vdc
Current Consumption @24V	7mA (typical), 15mA (Max)
Body / Lens Colour	Red / Red
Temperature Range	-20 to +40°C
IP Rating	IP45
Volume @1m/Candela	87.5dB(A) / 4.185 (Peak)
Tones	Fast Sweep: 800Hz to 970Hz swept at 9Hz Medium Sweep: 800Hz to 970Hz swept at 3Hz Slow Sweep: 800Hz to 970Hz swept at 1Hz
Connections	Screw terminals for 0.28mm <sup>2</sup> to 2.5mm <sup>2</sup>

Note: For full sound output data please refer to document 8200100MD which is available on request.

## Installation



# VIMPEX

**Vimpex Ltd**

Star Lane, Great Waking  
Essex, SS3 0PJ England.  
Tel: +44 (0) 1702 216999  
Fax: +44 (0) 1702 216699  
E-mail: sales@vimpex.co.uk

[www.vimpex.co.uk](http://www.vimpex.co.uk)



Quality System Certificate No. 456  
Assessed to ISO 9001:2000



We reserve the right to change or amend any design or specification in line with our policy of continuing development and improvement.

Part No: DS/TTLITE/ISS 1



## Other Products and Accessories

- Fire-Cryer® Voice Enhanced Sounders
- MT Range of Electronic Sounders
- Fire Alarm Bells
- Beacons and Strobe Lights
- Sounder Accessories & Fire System Ancillaries
- Stopper Range of Vandal Deterrent Products
- Water Leakage Detection Systems