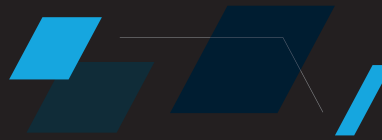


# FIRE-CRYER® PLUS VOICE SOUNDERS



The Fire-Cryer® Plus requires no special wiring and can be retrofitted to existing installations. They are fully synchronised and have exceptionally low current consumption. The units can be used as a replacement for electronic sounders or bells to broadcast a clear message for any situation - evacuation, chemical spills, access message, security or general information.

Where staged alarm or phased evacuation is required, message controllers can be used to allow up to seven different messages to be broadcast across multiple zones and just two wires.

The strobe is not intended to be the primary source of alarm and as such has not been assessed for compliance to EN54-23.

Choose from industry designed message sets (defined on page 3 and 4) or bespoke where required.



## Specification

Operating Voltage	20-28 V dc
Current @ 24 V dc, Avg/peak - Sounder Only	20/27 mA
Current @ 24 V dc, Avg/peak - Sounder with low current strobe	26/33 mA
Current @ 24 V dc, Avg/peak - Sounder with high current strobe	52/60 mA
Current @ 24 V dc - Low current strobe only	13 mA
Current @ 24 V dc - High current strobe only	32 mA
Strobe Output (Low)	2 Cd
Strobe Output (High)	6 Cd
Effective Sound Output (Typical) Alert fast sweep tone to BS5839 Voice	100 dB (A)* 95 dB (A)**
Volume Adjustment From Minimum Output To Maximum Outout - 18 dB(A)	82 to 100 dB(A)
Weatherproof (IP66 requires deep base)	IP45 or IP66
Housing Material	ABS
Temperature Range	-25 ° to 70 °C
Colour	Red or White
Connections	Screw TB 2.5 mm 2

Note: \*Tone output may vary depending on chosen sound

\*\*Voice output may vary due to the nature of human speech

## Features

- / Sound Output - 100 dB(A)
- / Optional integral strobe - red lens with red LED
- / Low current - average 20 mA
- / No special wiring, easily retro-fitted
- / Fully synchronised over multi-zones
- / Deep base version available to IP66
- / Choose from industry designed message sets or bespoke where required

## Approvals



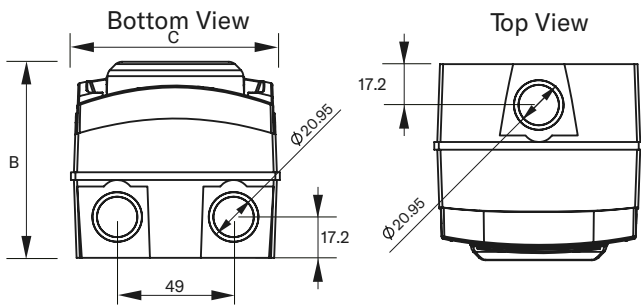
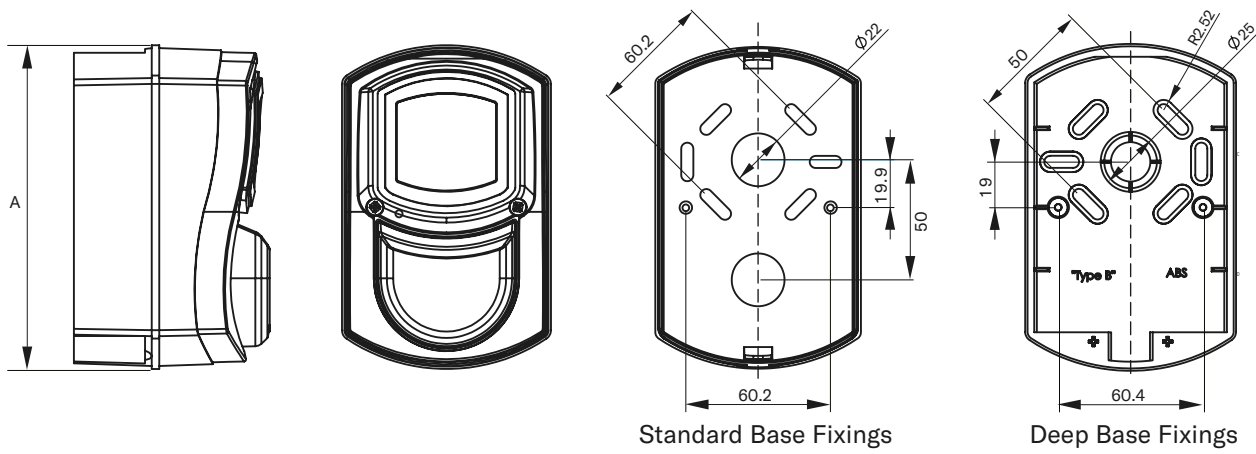
## Part Numbers

<b>Sounder</b>	FC3/A/R/O/S	Red, Standard Base
	FC3/A/R/O/D	Red, Deep Base IP66
	FC3/A/W/O/S	White, Standard Base
	FC3/A/W/O/D	White, Deep Base IP66
	FC3/A/R/R/S	Red with Red Beacon, Standard Base
	FC3/A/R/R/D	Red with Red Beacon, Deep Base IP66
	FC3/A/W/R/S	White with Red Beacon, Standard Base
	FCS/A/W/R/D	White with Red Beacon, Deep Base IP66
<b>Spares &amp; Accessories</b>	FC3/ZEP	Zone Extension PCB (Can only be used with FC3/MMSP)
	FC3/EP2	Extinguishant Interface for use with Gas extinguishant panels
	VMC/02/01/05	Boxed with Message Controller with ZEP and 5.25 A PSU
	VMC/02/02/02	Boxed with Message Controller with 2.5 A PSU
	VMC/01/02/00	Boxed with Message Controller with keypad

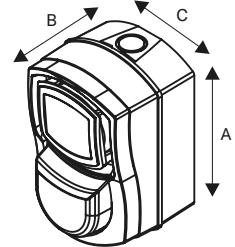
## Dimensions

Drawings show unit with strobe and deep base fitted.

Dimensions (mm)



	Overall Dimensions			
	Standard Base	Standard Base + Strobe	Deep Base	Deep Base + Strobe
A	134.01	34.0	136.5	136.5
B	56.9	59.9	79.6	82.6
C	85.6	85.6	88.0	88.0



## Message Lists

<b>Option A (Fire)</b>	Tone Number	Strobe Y/N	Voice Announcement
First Message	2C	Y	"Fire emergency. Please remain calm and evacuate the building immediately"
Second Message	2P	Y	"This is a fire alert. This a fire alert. Await further instructions"
Third Message	50	N	"This a fire alarm test. No action required. No action required"
Fourth Message	X	N	"All clear. All clear. No action required"
Fifth Message	32C	Y	"A full lockdown is in operation. Please follow full lockdown procedure"
Sixth Message	2C	Y	"Ladies and Gentlemen - due to unforeseen circumstances we must ask you to leave the building immediately by the nearest exit or as directed by members of staff"
Seventh Message	32C	Y	"This is a fire alarm! Please leave the building immediately by the nearest available exit"
Order Reference	Option A (FIRE)		

<b>Option B (Lockdown)</b>	Tone Number	Strobe Y/N	Voice Announcement
First Message	2C	Y	"Fire emergency. Please remain calm and evaluate the building immediately"
Second Message	32C	Y	"A full lockdown is in operation. Please follow full lockdown procedure"
Third Message	32P	Y	"A partial lockdown is in operation. Please follow partial lockdown procedure"
Fourth Message	X	N	"Lockdown over"
Fifth Message	32P	N	"This is a class change announcement"
Sixth Message	50	N	"Staff call 100"
Seventh Message	32P	N	"This is a partial Lockdown Alarm"
Order Reference	Option B (LOCKDOWN)		

<b>Option C (Building Protection)</b>	Tone Number	Strobe Y/N	Voice Announcement
First Message	X	Y	"This site is private property. You are being recorded by CCTV cameras and the police have been contacted"
Second Message	X	N	Attention, the intruder alarm is about to be set and all the lights will be turned off"
Third Message	X	N	"Staff call 100. Stall call 100"
Fourth Message	2C	Y	"You have been identified as an intruder, please leave the area immediately"
Fifth Message	2C	Y	"Please stand still. The security fogging system has been activated and the emergency services have been called. Breathe normally and await further instruction"
Sixth Message	X	Y	"Attention! Fire shutter closing"
Seventh Message	32P	N	"Warning, Fire curtain closing. Please stand clear"
Order Reference	Option C (BUILDING PROTECTION)		

## Option D

### (Gas Suppression)

	Tone Number	Strobe Y/N	Voice Annoucement
1st Stage Message	2P	Y	"First stage extinguishant release warning"
2nd Stage Message	1P	Y	"Second stage extinguishant release warning"
Gas Release on Hold	X	N	"Extinguishant gas release on hold"
Gas Released	2C	Y	"Extinguishant released"
Order Reference	Option D (GAS SUPPRESSION)		

### Tones Key

	Tone Number	Tone Description
	2C	Banshee Continuous
	1P	Banshee pulsed 1 second ON, 1 second OFF
	2P	Banshee pulsed 1 second ON, 1 second OFF, 1 second ON, 1 second OFF
	32P	Bell tone pulsed
	32C	Bell tone continuous
	50	Ping pong tone
	X	No tone

3700066\_REV0600

We reserve the right to change or amend any design or specification in line with our policy of continuing development and improvement.

Vimpex Ltd, Star Lane, Great Wakering, Essex, SS3 0PJ, UK  
Vimpex Europe BV / Vimpex Sweden AB / Vimpex Safety Products Limited

+44 (0) 1702 216 999 / sales@vimpex.co.uk / vimpex.co.uk

Registered in England No.2915112 Registered Address: Star Lane, Great Wakering, Essex, SS30PJ, United Kingdom

