

SYCALL RESET GLOW

DOUBLE POLE RESETTABLE CALL POINTS

The Sycall Reset-Glow series of resettable manual call points mimics the feel of breaking glass whilst offering the user benefits and environmental advantages of a resettable operating element.

All variants can be easily identified by an alarm flag which rises into view upon activation.

FEATURES

- 2 Independently switchable poles
- Resettable element
- Luminescent element visible for up to 8 minutes
- Available in 5* colours
- *Red version is approved to EN54-11 as a Series 01 model only.

PART NUMBERS

- SY-GD02 Series 02, Green, Dual Mounting (Flush or Surface)
- SY-YD02 Series 02, Yellow, Dual Mounting (Flush or Surface)
- SY-WD02 Series 02, White, Dual Mounting (Flush or Surface)
- SY-BD02 Series 02, Blue, Dual Mounting (Flush or Surface)
- SY-GF02 Series 02, Green, Flush Mounting
- SY-YF02 Series 02, Yellow, Flush Mounting
- SY-WF02 Series 02, White, Flush Mounting
- SY-BF02 Series 02, Blue, Flush Mounting
- SY-GS02 Series 02, Green, Surface Mounting
- SY-YS02 Series 02, Yellow, Surface Mounting
- SY-WS02 Series 02, White, Surface Mounting
- SY-BS02 Series 02, Blue, Surface Mounting

ACCESSORIES

- SY-PC01 Sycall Hinged Protective Cover
- SY-FMP01 Sycall Flush Mounting Plate
- SY-NIU01 Sycall "Not in Use" Label

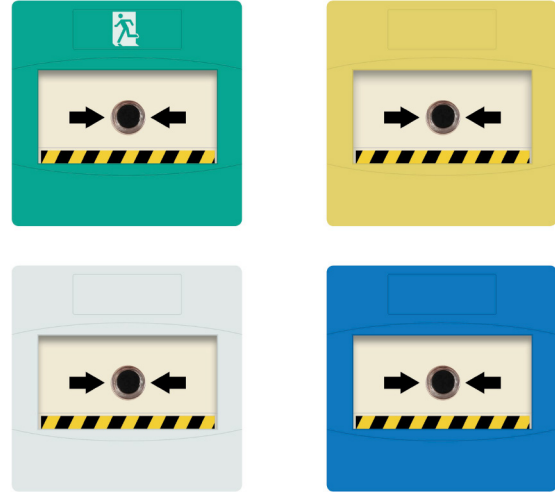
PROTECTIVE COVERS

- SG-FS-# Smart+Guard Cover, Flush, With Sounder
- SG-SS-# Smart+Guard Cover, Surface, With Sounder
- SG-F-# Smart+Guard Cover, Flush, No Sounder
- SG-S-# Smart+Guard Cover, Surface No Sounder

For full product code replace # with:

- G = Green
- Y = Yellow
- W = White
- B = Blue

SYCALL RESET GLOW



SPECIFICATION

Insulation Resistance	>100 Mohm @ 500 V dc
Maximum Current	3 A @ 250 V ac 5 A @ 125 V ac
Cable Termination	0.5 - 2.5 mm ²
Operating Temperature	-30 to +70°C
Humidity	0-95%
IP Rating	IP42
Material	ABS/Polycarbonate/PA6+Glass Fibre

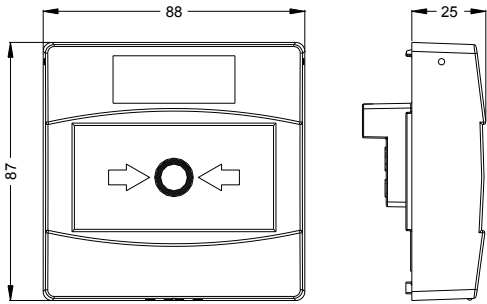
SMART+GUARD



SYCALL RESET GLOW

DOUBLE POLE RESETTABLE CALL POINTS

INSTALLATION

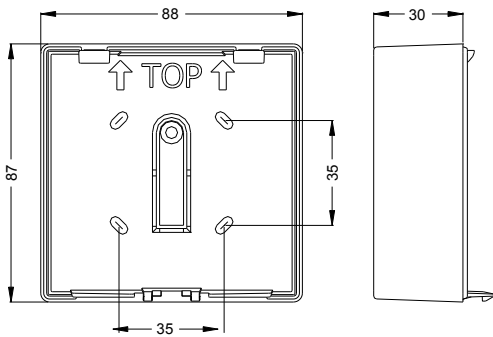


Dimensions (mm)

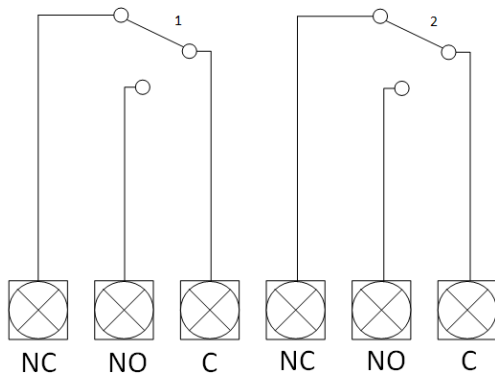
Flush Mount



Flush Mounting Plate



Surface Mount



Terminal Connections with independent poles

3700097/REV 2

We reserve the right to change or amend any design or specification in line with our policy of continuing development and improvement.

Vimpex LTD
 Star Lane, Great Wakering,
 Essex SS3 0PJ, UK
 t. +44 (0) 1702 216999
 e. sales@vimpex.co.uk
www.vimpex.co.uk

Vimpex Interguard AB
 t. +46 (0) 36 37 10 65
 e. sales@vimpex.se

