

IDENTIFIRE 

AUXILIARY RELAY UNIT

Used to provide an output to third-party components or system ancillaries, to allow activation/deactivation of system components during alarm.

FEATURES

- Dual pole - live and negative both isolated
- Consistent with all other Identifire products
- Can be flush or surface mounted
- Bright LED signals activation
- Can be printed with any text in any language*

SPECIFICATION

Maximum Conductor Size	2.5 mm ² per terminal
Relay contact specification	8 A 250 V ac (Resistive) - Note if mains voltages are being switched ensure local electrical wiring practices are adhered to.
Relay trigger current (typical)	21 mA
Relay trigger voltage (typical)	24 V dc (Minimum 21.6 V dc)
Operating Temperature	-5° to +50° Celsius
Operating humidity	95% non-condensing
Material	Fire rated ABS
Installation Knockouts	4 x 20 mm round, 1 x rectangular

ACCESSORIES ALSO AVAILABLE

- Alarm System Connection Box

PART CODE

Part Code	Part Name
10-2210RFR-S	Identifire Auxiliary Relay Flush Mount, Red
10-2210RSR-S	Identifire Auxiliary Relay Surface Mount, Red
10-2210WFR-S	Identifire Auxiliary Relay Flush Mount, White
10-2210WSR-S	Identifire Auxiliary Relay Surface Mount, White

*Minimum order quantities / setup charge may apply



FLUSH MOUNTED

SURFACE MOUNTED

Vimpex Limited
Star Lane
Great Wakering
Essex SS3 0PJ, UK

t. +44 (0) 1702 216999
e. sales@vimpex.co.uk
www.vimpex.co.uk



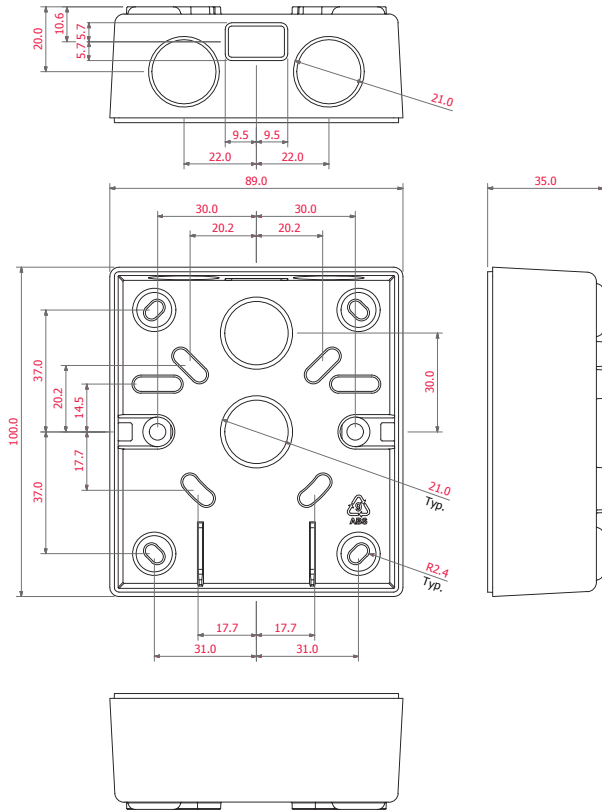
VIMPEX

IDENTIFIRE

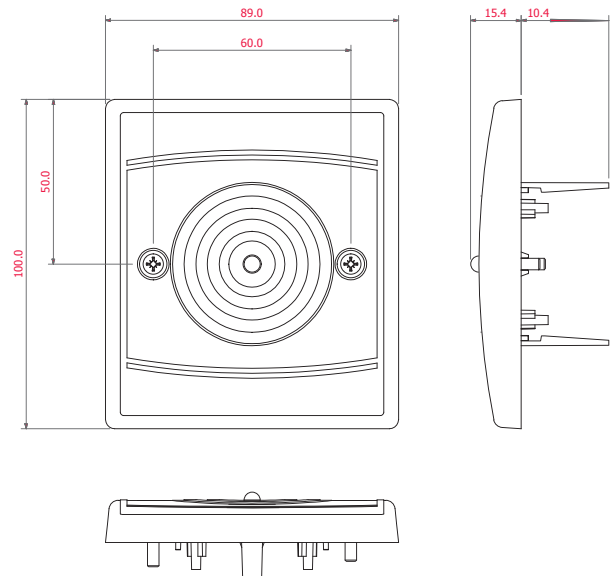
AUXILIARY RELAY UNIT

TECHNICAL DRAWING

BACK BOX



AUXILIARY RELAY UNIT



Dimensions: mm

DS/3700038 Iss 2

We reserve the right to change or amend any design or specification in line with our policy of continuing development and improvement.