

# BZ1L Alarm Indicator Buzzer Unit

The VimpeX BZ1L is an indicator with sounder unit. It is designed to be connected to a conventional sounder circuit or strobe circuit from a control panel. It conforms to the certification rules NF508 Systemes de Securite Incendie ([www.marque-nf.com](http://www.marque-nf.com)).

The BZ1L has a compact and stylish enclosure that contains the sounder and a red LED indicator positioned at the front, which illuminates in the event of an alarm. The enclosure of the BZ1L is suitable for surface mounting within buildings.

Cable entry points are situated at the rear, top and bottom of the enclosure. The top and bottom cable entry points are fitted with grommets supplied with the product. Separate connector blocks are provided for the incoming and outgoing cables.



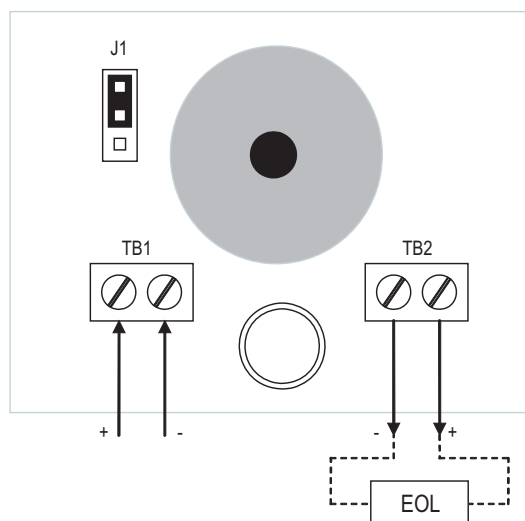
## Specification

Supply Voltage:	16 - 60 Vdc
Current in Alarm:	max 10 mA
Acoustic performance:	
- Sound Pressure Level	65 dBA at 24 V dc at 1 m
- Sound characteristics	Continuous Sound at 3.3 kHz
Enclosure:	
- Dimensions	90 (h) x 70 (w) x 40 (d) mm
- Weight	90 g
- Material/Colour	Plastic ABS FR/White
Ambient temperature range:	-10 to +50 °C

## Part Number

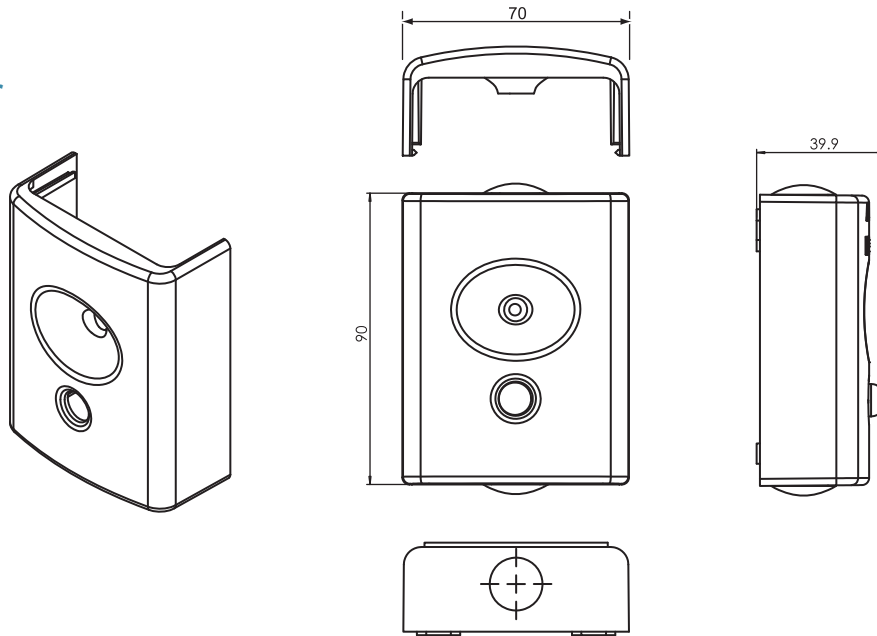
BZ1L: Alarm Indicator Buzzer Unit

## Wiring Installation

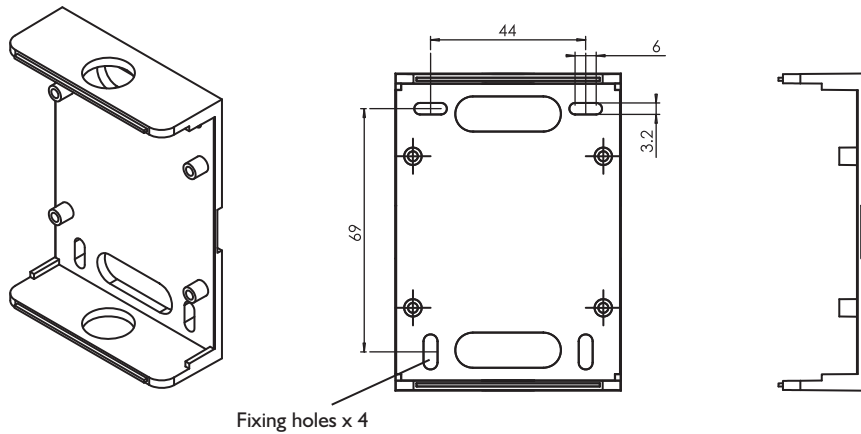


# Mechanical Specification

## Cover



## Base



Dimensions (mm)

## Vimpex Limited

Star Lane, Great Wakering  
Essex SS3 0PJ England  
Tel: +44 (0) 1702 216999  
Fax: +44 (0) 1702 216699  
E-mail: sales@vimpex.co.uk  
[www.vimpex.co.uk](http://www.vimpex.co.uk)

