

# TECHNICAL DATASHEET

## BANSHEE EXCEL™ FLASHDOME BEACON



The Banshee Excel™ FlashDome features ultra-efficient LEDs and is ideal for use as a supplementary indicator in alarm systems.

The FlashDome is 100% compatible with the rest of the Excel Sounder and Sounder Beacon range and utilises the same shallow and deep bases and broad range of accessories.



### FEATURES

- Ultra-efficient LEDs
- Very low current consumption
- Sleek, low-profile design
- Compatible with other Excel Sounders and Sounder Beacons and accessories
- Uses same bases as Banshee<sup>MT</sup> - simple push and twist bayonet mounting with locking screw

### PART NUMBERS - SOUNDER

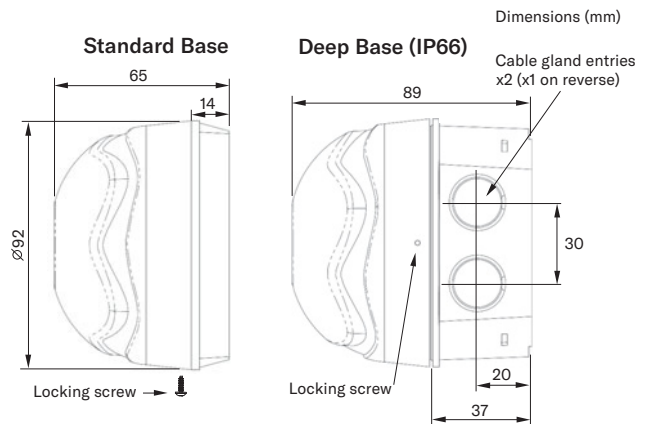
- 8582100: FlashDome - LED Beacon, Red
- 8582101: FlashDome - LED Beacon, Red, Deep Base IP 66

### SPECIFICATION

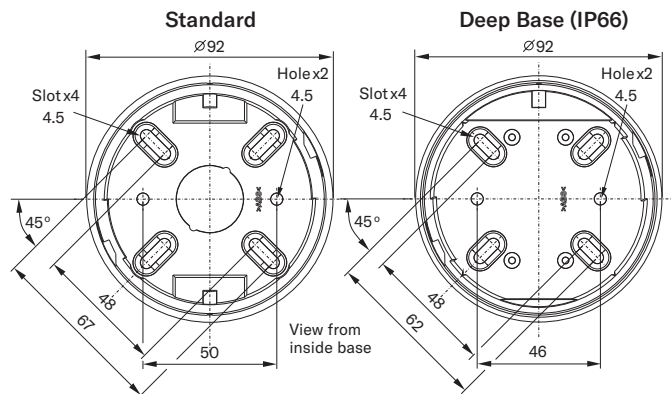
Operating Voltage (V dc):	10-28
Flash Current Consumption (mA):	7
Body Colours:	Red
Lens Colour (Polycarbonate):	Red
Temperature Range (Deg C):	-20 to +70°C
Environment Category / IP Rating:	Type A/IP 45 Std Base Type B/IP 66 Deep Base

### INSTALLATION

#### BANSHEE EXCEL™ FLASHDOME BEACON



#### BANSHEE EXCEL™ COMMON BASE



DS/EXCEL-FD-TD/ISS 2

We reserve the right to change or amend any design or specification in line with our policy of continuing development and improvement.

Vimpex LTD

Star Lane, Great Wakering,  
Essex SS3 0PJ, UK

t. +44 (0) 1702 216999

e. sales@vimpex.co.uk

www.vimpex.co.uk

Vimpex Interguard AB

t. +46 (0) 36 37 10 65

e. sales@vimpex.se



Quality System Certificate No. 456  
Assessed to ISO 9001