

TECHNICAL DATASHEET

FIRE ALARM BELLS

The bell remains the most commonly used alarm for fire evacuation systems. Recognising this, VimpeX continue to innovate with their all-aluminium range of fire alarm bells.

Five bells make up the range of 150 mm (6") and 200 mm (8") internal and external units. Being of aluminium construction, our bells have a very high volume output matched with extremely low power consumption - just 11 mA for the 150 mm internal.

The specially designed weatherproof bells have an aluminium back box giving either single or double threaded entry for maximum flexibility in installation. This is supplied as a full fixing kit with gasket and screws.

As with the VimpeX sounder range, all bells can be supplied branded with your company logo.



STROBELL

For a combined Bell and Strobe see the StroBell.

Datasheet Part No. DS/STROBELL or visit

vimpeX.co.uk/strobell



APPROVALS



FEATURES

- Low current consumption - only 11 mA
- Quickly and easily installed
- Excellent sonorous tone up to 100 dB(A) at 1 m
- Slim profile
- Fully suppressed and polarised
- Simple installation with multi-fixing base plate
- Purpose-made weatherproof range
- 24 V bells certified by LPCB to EN 54-3:2001
- 24 V bells compliant with Construction Products Regulation

TECHNICAL DATASHEET

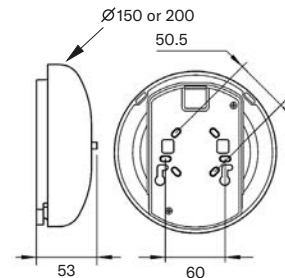
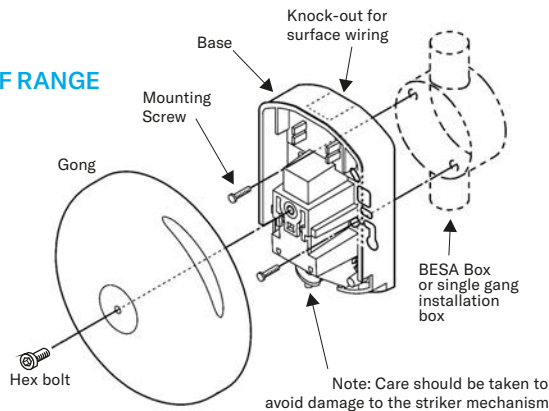
FIRE ALARM BELLS



SPECIFICATION	6" (150 mm) Internal - 12 V	6" (150 mm) Internal - 24 V	8" (200 mm) Internal - 24 V	6" (150 mm) Weatherproof	8" (200 mm) Weatherproof
Model No.:	MBF-6EV-12	MBF-6EV-24	MBF-8EV	MBA-6 + BBX-4	MBA-8 + BBX-4
Rated Voltage (V dc):	9.6 - 13.2	20.4 - 27.6	20.4 - 27.6	20.4 - 27.6	20.4 - 27.6
Rated Current @24 V (mA):	40	11	17	12	25
Starting Voltage (V dc):	5.5	19.2	19.2	16.0	16.9
Sound Output dB(A) @1 m (max):	100.7	96.5	98.8	100.5	100.1
Temperature Range (C):			-10 to +50		
Humidity Range (%):			45 - 85		
Weight (g), (#with backbox):	410	410	640	780#	1100*
Gong Colour:			Red		
Gong Construction:			Aluminium		

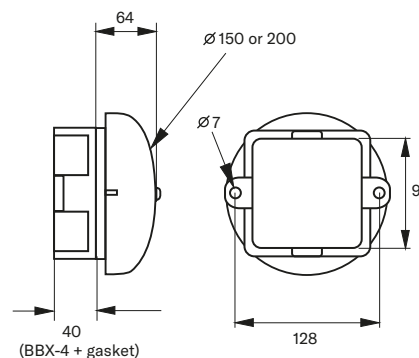
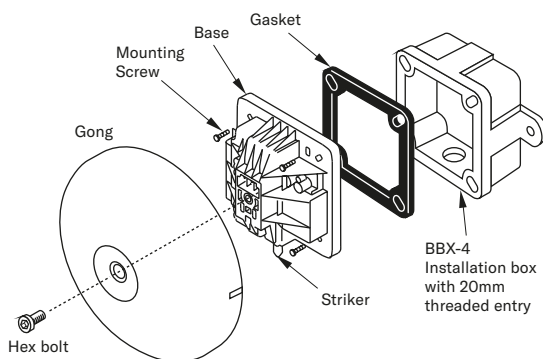
INSTALLATION

INTERNAL MBF RANGE Type A



Mounting holes are provided to suit either BESA single gang installation boxes or for direct wall mounting

WEATHERPROOF MBA RANGE (IP55) Type B



Mounting holes are located to suit BBX-4 installation box supplied.

Dimensions (mm)

DS/BELL-TD/ISS 4

We reserve the right to change or amend any design or specification in line with our policy of continuing development and improvement.

Vimpex LTD

Star Lane, Great Wakering,
Essex SS3 0PJ, UK
t. +44 (0) 1702 216999
e. sales@vimpex.co.uk
www.vimpex.co.uk

Vimpex Interguard AB

t. +46 (0) 36 37 10 65
e. sales@vimpex.se



Quality System Certificate No. 456
Assessed to ISO 9001