

VAD23™ - CEILING MOUNTED BEACON

A high intensity ceiling-mounted Visual Alarm Device, the unit is ideal for providing a primary warning signal in areas where sounders alone will not be sufficient. Installation of the product is by use of a standard detector base, which is included in your purchase. The VAD23™ - Ceiling Mounted Beacon is third party approved to EN 54-23, and certified to the rating of C-3-7.5.

APPROVALS



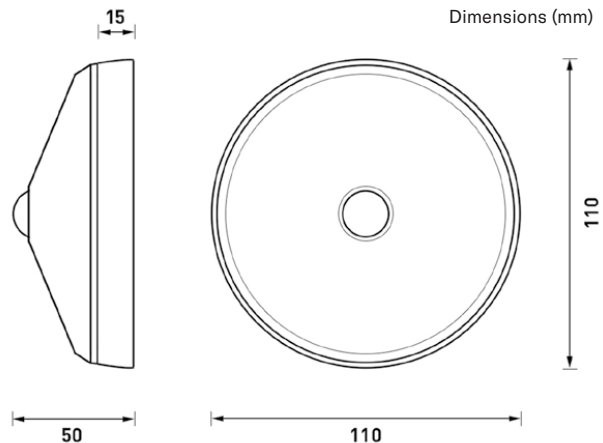
FEATURES

- Low power, high output LED technology
- Coverage radius of 7.5 m when installed at a ceiling height of 3 m
- Flash rate of 0.5 Hz (1 every 2 seconds)
- Anti-tamper lock to prevent unauthorised removal
- 3rd Party Approved EN 54-23
- Easy central cable entry
- 5 Year Warranty
- Utilises a standard detector base (Included)
- High intensity clear LED



SPECIFICATION

Part Code:	CBE1002-C
Operating Voltage:	15 V dc - 40 V dc
Operating Current:	10 mA at 24 V dc
Dimensions:	110 mm x 50 mm
IP Rating:	21C, Type A
Unit Weight:	120 g
Operating Temperature (no icing):	-10°C to +55°C
Max Humidity (non condensing)	95% RH
LED Colour:	White
Rating:	C-3-7.5



DS/3700013/ISS-5

We reserve the right to change or amend any design or specification in line with our policy of continuing development and improvement.

Vimpex LTD

Star Lane, Great Wakering,
Essex SS3 0PJ, UK
t. +44 (0) 1702 216999
e. sales@vimpex.co.uk
www.vimpex.co.uk

Vimpex Interguard AB

t. +46 (0) 36 37 10 65
e. sales@vimpex.se

