

# BExBG21 Explosion Proof Xenon Beacon 21 Joule

The flameproof BExBG21 Xenon beacons are suitable for Zone 1, 2, 21 & 22 applications. Approved to IECEx, ATEX, Ex EAC and INMETRO standards.

The BExBG21 21 Joule beacons robust construction enables installation in the harshest of environments. The BExBG21 has three distinct user selectable flash patterns and for units with DC operating voltages a second stage flash pattern can be selected remotely. Additional features include a stainless steel guard and stainless steel mounting bracket as standard.

The BEx range features enclosures manufactured from corrosion proof, marine grade copper free LM6 aluminium with a chromate and powder coat finish. All models have two M20 cable entries, large termination areas containing in & out terminals and an ingress protection of IP66/67.

## Features

- Marine grade, corrosion proof, LM6 aluminium enclosure
- Xenon tubes mechanically secured against shock & vibration
- Dual Xenon flash tubes
- Glass lens & Stainless Steel guard
- Very large termination area.
- Dual M20 cable entries - adaptors available.
- Stopping plug included.
- Ratchet adjustable stainless steel 'U' bracket.
- Reverse polarity diode fitted.
- IP66/67 ingress protection.
- 520 candela effective light intensity.
- UV stable PC, field replaceable, colour lens filter.

## Approvals

- IECEx KEM 10.0002X  
IEC 60079-0 : 2011  
IEC 60079-1 : 2007-4  
IEC 60079-31 : 2013
- ATEX KEMA 00ATEX2 006X  
EN 60079-0 : 2012 + A11  
EN 60079-1 : 2007  
EN 60079-31 : 2014
- CR-TU Ex EAC certificate: RU C-GB.MH04.B.00048
- Inmetro certificate: 10HEx-0010

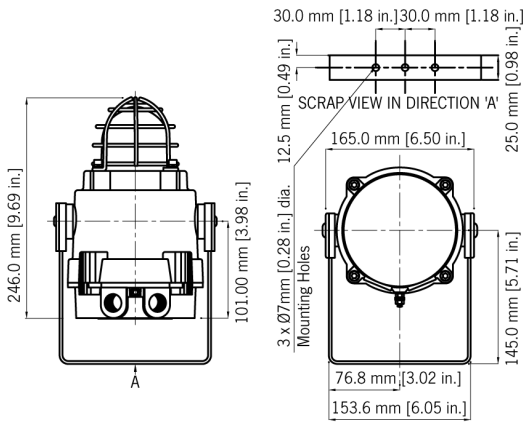
## Coding

- Ex d IIC T3 Gb Ta. -50°C to +70°C
- Ex tb IIIC T150°C Db Ta. -50°C to +40°C
- Ex tb IIIC T165°C Db Ta. -50°C to +55°C
- Ex tb IIIC T180°C Db Ta. -50°C to +70°C



## Vimpex Limited

Star Lane, Great Wakering  
Essex SS3 0PJ England  
Tel: +44 (0) 1702 216999  
Fax: +44 (0) 1702 216699  
E-mail: sales@vimpex.co.uk  
[www.vimpex.co.uk](http://www.vimpex.co.uk)



### Specification

Energy:	21 Joules
Flash rate:	1Hz, 2Hz & double strike 1Hz
Peak Candela:	2,100,000 cd - calculated from energy (J)
Effective Intensity cd:	1,050 cd - calculated from energy (J)
Peak Candela:	118,537 cd* - measured ref. to I.E.S.
Effective Intensity cd:	520 cd* - measured ref. to I.E.S.
Lens colours:	Amber, Blue, Clear, Green, Magenta, Red & Yellow
Voltages DC:	24vdc; 48vdc
Voltages AC:	115vac; 230vac
Ingress protection:	IP66/67
Enclosure matl:	Marine grade copper free LM6 Aluminium
Enclosure finish:	Chromate & powder coated finish - anti-corrosion.
Colour:	RAL3000 Red (others available on request)
Cable entries:	Dual M20 ISO (one stopping plug inc)
Terminals:	0.5 - 2.5mm <sup>2</sup> (20-14 AWG)
Enclosure volume:	<2 litres
Line monitoring:	Blocking diode included EOL Min. 500 Ohm 2w, or 3k3 Ohm 0.5w resistor or diode (DC versions) can be added
Grounding stud:	M5
Temperature range:	-50° to +70°C (-58°F to +158°F)
Relative humidity:	90% at 20°C [68°F]
Tube life:	Emissions are reduced to 70% after 8 million flashes
Weight:	DC: 2.65kg/5.83lbs AC: 2.95kg/6.49lbs
*All candela data is representative of performance with clear lens at optimum voltage.	

### Part Codes

Version:	Part code:
Product type:	BExBG21 Explosion proof 21J Xenon Beacon
Type:	DP Ex d, UV stable PC Colour Lens
Voltage:	DC024 24V dc DC048 48V dc AC115 115V ac AC230 240V ac
Cable Entry Type:[e] A	2 x M20x1.5mm
B	2 x 1/2" NPT - adaptors
C	2 x 3/4" NPT - adaptors
D	2 x M25x1.5mm - adaptors
E	1 x 1/2" NPT - adaptor
F	1 x 3/4" NPT - adaptor
G	1 x M25x1.5mm - adaptor
Note:	M20 stopping plugs for unused entries supplied with all options
Adaptor/Stopping plug material: [m] B	Brass
N	Nickel Plated
S	Stainless Steel
Bracket material: [s] 1	A2 304 Stainless Steel
2	A4 316 Stainless Steel
Product version: [v] A1	Default - IECEx, ATEX, Ex EAC & INMETRO
Enclosure colour: [x] R	Red RAL3000
S	Special - contact E2S
Lens colour: [y] A	Amber C Clear M Magenta Y Yellow
B	Blue G Green R Red

### Current Consumption

Version:	Voltage:	Current:
24V dc	20-28V dc	1.2A
48V dc	42-54V dc	600mA
115V ac	50/60Hz +/-10%	560mA
230V ac	50/60Hz +/-10%	280mA

### Flash Patterns

Pattern:	Type:	Stg 2 (DC)
SF	1Hz (60fpm) Both Xenon tubes flash together	AF
AF	2Hz (120fpm) Xenon tubes flash alternately	SF
DF	1Hz (60fpm) Double strike flash	SF