

BExBG15 Explosion Proof Xenon Beacon 15 Joule

The flameproof BExBG15 xenon beacons are suitable for Zone 1, 2, 21 & 22 applications. Approved to IECEx, ATEX, Ex EAC and INMETRO standards.

The BExBG15 15 Joule beacons robust construction enables installation in the harshest of environments. Additional features include automatic synchronisation on multi-beacon systems and stainless steel guard and mounting bracket as standard.

The BEx range features enclosures manufactured from corrosion proof, marine grade copper free LM6 aluminium with a chromate and powder coat finish. All models have two M20 cable entries, large termination areas containing in & out terminals and an ingress protection of IP66/67.

Features

- Marine grade, corrosion proof, LM6 aluminium enclosure
- Automatic synchronisation on multi-beacon system.
- Beacons can be set to 'flip-flop' alternating mode with other units on multi-beacon systems.
- Xenon tubes mechanically secured against shock & vibration
- Glass lens & Stainless Steel guard
- Very large termination area.
- Dual M20 cable entries - adaptors available.
- Stopping plug included.
- Ratchet adjustable stainless steel 'U' bracket.
- Reverse polarity diode fitted.
- IP66/67 ingress protection.
- 468 candela effective light intensity.
- UV stable PC, field replaceable, colour lens filter.

Approvals

- IECEx KEM 10.0002X
IEC 60079-0 : 2011
IEC 60079-1 : 2007-4
IEC 60079-31 : 2013
- ATEX KEMA 00ATEX2 006X
EN 60079-0 : 2012 + A11
EN 60079-1 : 2007
EN 60079-31 : 2014
- CR-TU Ex EAC certificate: RU C-G.B.MH04.B.00048
- Safety integrity level: SIL2
- Inmetro certificate: 10IEx-0010

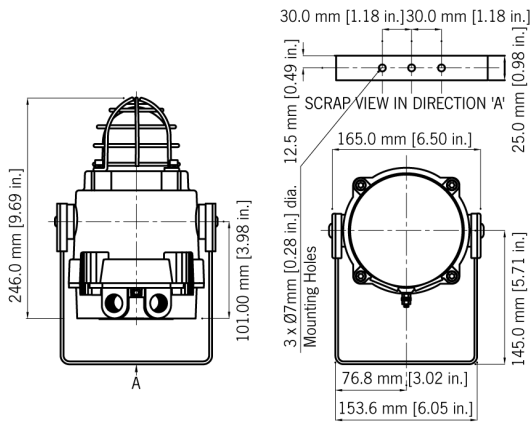
Coding

- Ex d IIC T4 Gb Ta. -50°C to +50°C
- Ex d IIC T3 Gb Ta. -50°C to +70°C
- Ex tb IIIC T120°C Db Ta. -50°C to +40°C
- Ex tb IIIC T135°C Db Ta. -50°C to +55°C
- Ex tb IIIC T150°C Db Ta. -50°C to +70°C



Vimpex Limited

Star Lane, Great Wakering
Essex SS3 0PJ England
Tel: +44 (0) 1702 216999
Fax: +44 (0) 1702 216699
E-mail: sales@vimpex.co.uk
www.vimpex.co.uk



Specification

Energy:	15 Joules (15Ws)
Flash rate:	1Hz (60 fpm)
Peak Candela:	1,500,000 cd - calculated from energy (J)
Eff. Intensity cd:	750 cd - calculated from energy (J)
Peak Candela:	99,106 cd* - measured ref. to I.E.S.
Eff. Intensity cd:	468 cd* - measured ref. to I.E.S.
Lens colours:	Amber, Blue, Clear, Green, Magenta, Red & Yellow
Voltages DC:	24vdc; 48vdc
Voltages AC:	115vac; 230vac
Ingress protection:	BG15D : IP66/67 BG15E : IP66
Enclosure matl:	Marine grade copper free LM6 Aluminium
Enclosure finish:	Chromate & powder coated finish - anti-corrosion.
Colour:	RAL3000 Red (others available on request)
Cable entries:	Dual M20 ISO (one stopping plug inc)
Terminals:	0.5 - 2.5mm ² (20-14 AWG)
Enclosure volume:	<2 litres
Line monitoring:	Blocking diode included EOL Min. 500 Ohm 2w, or 3k3 Ohm 0.5w resistor or diode (DC versions) can be fitted
Grounding stud:	M5
Temperature range:	-50° to +70°C (-58°F to +158°F)
Relative humidity:	90% at 20°C [68°F]
Tube life:	Emissions are reduced to 70% after 8 million flashes
Weight:	DC: 2.45kg/5.39lbs AC: 2.75kg/6.05lbs

*All candela data is representative of performance with clear lens at optimum voltage.

Part Codes

Version:	Part code:
Product type:	BExBG15 Explosion proof 15J Xenon Beacon
Type:	DP Ex d, UV stable PC Colour Lens
Voltage:	DC024 24V dc DC048 48V dc AC115 115V ac AC230 240V ac
Cable Entry Type: [e] A	2 x M20x1.5mm
B	2 x 1/2" NPT - adaptors
C	2 x 3/4" NPT - adaptors
D	2 x M25x1.5mm - adaptors
E	1 x 1/2" NPT - adaptor
F	1 x 3/4" NPT - adaptor
G	1 x M25x1.5mm - adaptor
Note:	M20 stopping plugs for unused entries supplied with all options
Adaptor/Stopping plug material: [m] B	Brass
N	Nickel Plated
S	Stainless Steel
Bracket material: 1	A2 304 Stainless Steel
[s] 2	A4 316 Stainless Steel
Product version: [v] A1	Default - IECEx, ATEX, Ex EAC & INMETRO
S1	SIL2 - IECEx, ATEX, Ex EAC & INMETRO
Enclosure colour: R	Red RAL3000 Special
[x] S	- contact Vimpex
Lens colour: [y] A	Amber
B	Blue
C	Clear
G	Green
M	Magenta
R	Red
Y	Yellow

Current Consumption

Version:	Voltage:	Current:
24V dc	20-28V dc	860mA
48V dc	42-54V dc	480mA
115V ac	50Hz/60Hz +/-10%	360mA
230V ac	50Hz/60Hz +/-10%	170mA