

# BExCBG05-05 Explosion Proof Dual Xenon Beacon 5 Joule

The flameproof BExCBG05-05 dual Xenon beacons are suitable for Zone 1, 2, 21 & 22 applications. Approved to IECEx, ATEX and Ex EAC standards.

The BExCBG05-05D dual 5 Joule beacons robust construction enables installation in the harshest of environments. The beacons may be connected from a single supply for simultaneous operation or from separate supplies for independent operation. Additional features include automatic synchronisation on multi-beacon systems and stainless steel guard and mounting bracket as standard.

The BEx range features enclosures manufactured from corrosion proof, marine grade copper free LM6 aluminium with a chromate and powder coat finish. All models have two M20 cable entries, large termination areas containing in & out terminals and an ingress protection of IP66/67.

## Features

- Marine grade, corrosion proof, LM6 aluminium enclosure
- Automatic synchronisation on multi-beacon system.
- Beacons can be set to 'flip-flop' alternating mode with other units on multi-beacon systems.
- Xenon tubes mechanically secured against shock & vibration
- Glass lens & Stainless Steel guard
- Very large termination area.
- Dual M20 cable entries - adaptors available.
- Stopping plug included.
- Ratchet adjustable stainless steel 'U' bracket.
- Reverse polarity diode fitted.
- IP66/67 ingress protection.
- 120+120 candela effective light intensity.
- UV stable PC, field replaceable, colour lens filters.

## Approvals

- IECEx KEM 10.0024X  
IEC 60079-0 : 2011  
IEC 60079-1 : 2007-4  
IEC 60079-31 : 2013
- ATEX KEMA 00ATEX2222X  
EN 60079-0 : 2012 + A11  
EN 60079-1 : 2007  
EN 60079-31 : 2014
- CR-TU Ex EAC certificate: RU C-G.B.MH04.B.00048

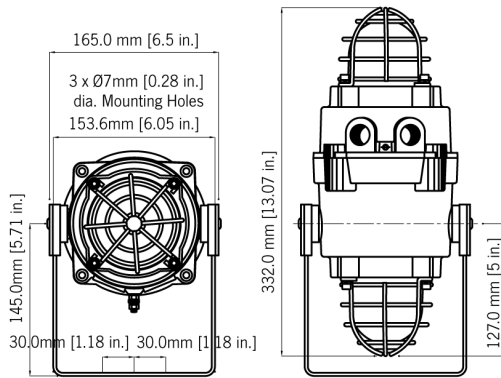
## Coding

- Ex d IIB T4 Gb Ta. -50°C to +70°C
- Ex tb IIIC T115°C Db Ta. -50°C to +55°C
- Ex tb IIIC T130°C Db Ta. -50°C to +70°C



## Vimpex Limited

Star Lane, Great Wakering  
Essex SS3 0PJ England  
Tel: +44 (0) 1702 216999  
Fax: +44 (0) 1702 216699  
E-mail: sales@vimpex.co.uk  
[www.vimpex.co.uk](http://www.vimpex.co.uk)



### Specification

Energy:	5 Joules x 2 (5Ws)
Flash rate:	1Hz (60 fpm)
Peak Candela:	500,000 cd x2 - calculated from energy (J)
Eff. Intensity cd:	250 cd x2 - calculated from energy (J)
Peak Candela:	39,463 cd* x2 - measured ref. to I.E.S.
Eff. Intensity cd:	120 cd* x2 - measured ref. to I.E.S.
Lens colours:	Amber, Blue, Clear, Green, Magenta, Red & Yellow
Voltages DC:	12vdc; 24vdc; 48vdc
Voltages AC:	115vac; 230vac
Ingress protection:	IP66/67
Enclosure matl:	Marine grade copper free LM6 Aluminium
Enclosure finish:	Chromate & powder coated finish - anti-corrosion.
Colour:	RAL3000 Red (others available on request)
Cable entries:	Dual M20 ISO (one stopping plug inc)
Terminals:	0.5 - 2.5mm <sup>2</sup> (20-14 AWG)
Enclosure volume:	<2 litres
Line monitoring:	Blocking diode included EOL Min. 500 Ohm 2w, or 3k3 Ohm 0.5w resistor or diode (DC versions) can be fitted
Grounding stud:	M5
Temperature range:	-50° to +70°C (-58°F to +158°F)
Relative humidity:	90% at 20°C [68°F]
Tube life:	Emissions are reduced to 70% after 8 million flashes
Weight:	DC: 4.00kg/8.8lbs AC: 4.35kg/9.57lbs
*All candela data is representative of performance with clear lens at optimum voltage.	

### Part Codes

<b>Version:</b>	<b>Part code:</b>			
Product type:	BExCBG 0505 Explosion proof Dual 5J Xenon Beacon			
Type:	DP	Ex d, UV stable PC Colour Lenses		
Voltage:	DC012	12V dc		
	DC024	24V dc		
	DC048	48V dc		
	AC115	115V ac		
	AC230	240V ac		
Cable Entry Type:[e]	A	2 x M20x1.5mm		
	B	2 x 1/2" NPT - adaptors		
	C	2 x 3/4" NPT - adaptors		
	D	2 x M25x1.5mm - adaptors		
	E	1 x 1/2" NPT - adaptor		
	F	1 x 3/4" NPT - adaptor		
	G	1 x M25x1.5mm - adaptor		
Note:	M20 stopping plugs for unused entries supplied with all options			
Adaptor/Stopping plug material: [m]	B	Brass		
	N	Nickel Plated		
	S	Stainless Steel		
Bracket material: [s]	1	A2 304 Stainless Steel		
	2	A4 316 Stainless Steel		
Product version: [v]	A1	Default - IECEx, ATEX & Ex EAC		
Enclosure colour: [x]	R	Red RAL3000 Special		
	S	- contact Vimpex		
Xenon 1 lens colour: [y]	A	Amber	M	Magenta
	B	Blue	R	Red
	C	Clear	Y	Yellow
	G	Green		
Xenon 2 lens colour: [y]	A	Amber	M	Magenta
	B	Blue	R	Red
	C	Clear	Y	Yellow
	G	Green		

### Current Consumption

Version:	Voltage:	Current (per beacon):
12V dc	10-14V dc	750mA
24V dc	20-28V dc	300mA
48V dc	42-54V dc	180mA
115V ac	50Hz/60Hz +/-10%	140mA
230V ac	50Hz/60Hz +/-10%	55mA

19 Aug 2016