

BExCP3A-BG/BExCP3B-BG Break Glass Call Point

The BExCP3A-BG and BExCP3B-BG break glass manual call points are approved for Zone 1, 2, 21 and 22 hazardous areas for the control of fire and gas alarm systems. Available with and without monitoring resistors all versions are certified to ATEX and IECEx standards.

The BEx range features enclosures manufactured from corrosion proof, marine grade, copper free LM6 (A413) aluminium which is phosphated and powder coated.

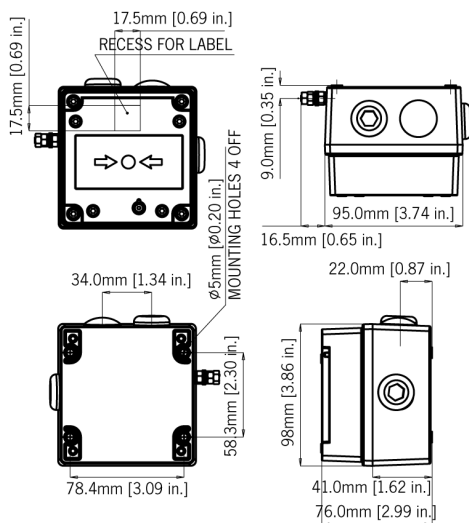
Options

- Alternative housing colours are available to meet specific requirements.
- DIN rail mounted terminal blocks: 8 x 2.5mm²
- Stainless Steel lift flap
- Metalised Polyester "Duty" label.
- Series and/or End of Line resistors.

Approvals

- ATEX certificate: Sira 09ATEX3286X,
IEC 60079-0:2007 Ed 5, EN 60079-1:2004,
EN 60079-7:2007, IEC 60079-18:2009 Ed 3,
EN 61241-1:2004
- IECEx certificate: IECEx SIR 09.012 1X,
IEC 60079-0:2007-10 Edition: 5,
IEC 60079-1:2003 Edition: 5,
IEC 60079-18:2009 Edition: 3,
IEC 60079-7:2006-07 Edition: 4,
IEC 61241-1:2004 Edition: 1
- Inmetro certificate: 10IEx-0011X
- GOST-R certificate: POCC GB.JB05.B03365
- Complies with design requirements of EN54-11





VIMPEX

Vimpex Limited

Star Lane, Great Wakering
Essex SS3 0PJ England

Tel: +44 (0) 1702 216999

Fax: +44 (0) 1702 216699

E-mail: sales@vimpex.co.uk

www.vimpex.co.uk

Specification

BExCP3A-BG:	II 2G Ex e d IIC T6 Gb II 2D Ex t IIIC T60°C Db IP66
BExCP3B-BG:	II 2G Ex e d mb IIC T4 Gb II 2D Ex t IIIC T70°C Db IP66
Ambient:	Ta = -40°C to +55°C [-40° to +131°F] (+50°C for BExCP3B)
Ingress protection:	IP66
Housing material:	Marine grade copper free LM6 Aluminium
Housing finish:	Phosphated & powder coated finish: anti-corrosion.
Colour:	RAL3000 Red (others available on request)
Cable entries:	2 x M20 clearance top and 1 x M20 clearance side. Back box can be rotated to give 2 x bottom and 1 x side entries.
Stopping plugs:	2 x Ex e nylon plugs as standard Brass and stainless steel plugs optional
Terminals:	6 x 4.0mm ² cables or or 8 x 2.5mm ² DIN rail
Weight:	0.8Kg

Part Codes

Option:	Code:	Description:
Type:	BExCP3A-BG	A type - no end of line devices
	BExCP3B-BG	B type - choice of end of line devices
Terminals:	ST	ST: Standard
	DR	DR: DIN rail (only on BExCP3B type)
Lift flap:	LF	Lift flap
	NF	No lift flap
Duty label:	NL	No duty label
	DL	Duty label required - specify contents
Colour:	RD	Red enclosure colour
	XX	Other enclosure colour - contact sales
Voltage:	48V	System voltage (only required for BExCP3B type)
	24V	
	12V	
	6V	
E.O.L. Resistor:	ExxxR	Resistor value in Ohms e.g. E470R = 470 Ohm (only required for BExCP3B type)
Series Resistor:	SxxxR	Resistor value in Ohms e.g. E1K5R = 1.5K Ohm (only required for BExCP3B type)

e.g. BExCP3A-BG-ST-LF-NL-RD

BExCP3A Break glass call point with standard terminals, lift flap and no duty label. Red housing

e.g. BExCP3B-BG-DR-NF-NL-RD-24V-E470R

BExCP3B Break glass call point with DIN rail terminals, no lift flap, no duty label, 24V supply with a 470 Ohm end of line resistor. Red housing.

Versions

Version:	Voltage:	Switch:	Terminals:	Cable entries:
BExCP3A-BG	250V ac Max.	5.0A Max.	6 x 4mm ²	2 x M20 Top/Bottom
	50V dc Max.	1.0A Max.		1 x M20 Left/Right
Coding:	II 2G Ex e d IIC T6 Gb Ta = -40°C to +55°C II 2D Ex t IIIC T60°C Db IP66			

Version:	Nom. / Max. Voltage:	Switch:	Terminals:	Cable entries:	Min. EOL / Series Value:
BExCP3B-BG	48V/56V	56V dc	6 x 4mm ² or	2 x M20	1K8
	24V/28V	Max.	8 x 2.5mm ²	Top/Bottom	470R
	12V/15V	Rating:	DIN rail	1 x M20	120R
	6V/9V	<50V:		Left/Right	47R
		1.0A			
		>50V:			
		0.75A			

6 Jul 2015

No liability is accepted for any consequence of the use of this document. The technical specification of this unit is subject to change without notice due to our policy of continual product development. All dimensions are approximate. This unit is sold subject to our standard conditions of sale, a copy of which is available on request.

Coding: II 2G Ex e d mb IIC T4 Gb Ta = -40°C to +50°C
II 2D Ex t IIIC T70°C Db IP66