

# GNExS1 Alarm Horn Sounder 117dB(A)

The flameproof GNExS1 alarm sounder is suitable for Zone 1 & Zone 2 applications - certified to ATEX and IECEx.

Sound level outputs are up to 117dB(A) at 1 metre with a choice of 45 alarm tones and 4 remotely selectable stages. The alarm tone frequencies for the first 2 stages are independently selectable. The GNEx range features enclosures manufactured from GRP (glass reinforced polyester), moulded in natural red, but also available in other colours.

The re-entrant flare horn is high impact, fire retardant ABS. All models have two M20 cable entries, large termination areas containing in & out terminals and an ingress protection of IP66/67.

## Features

- Automatic synchronisation on multi-sounder system.
- Very large termination area.
- Ratchet adjustable stainless steel 'U' bracket.
- IN & OUT terminals.
- Independently selectable tones for 1st & 2nd stages.

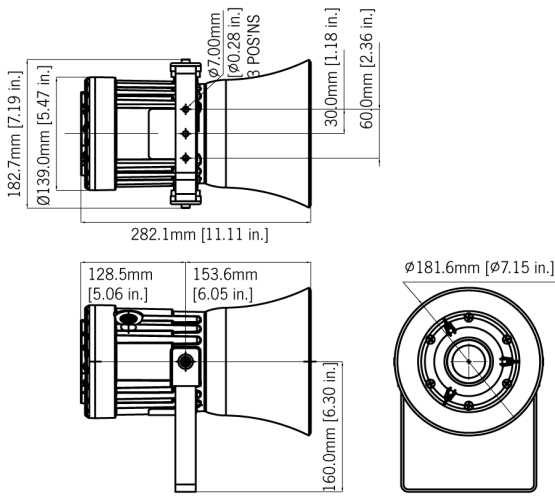
## Approvals

- ATEX certificate: SIRA 13ATEX1139X, EN 60079-0 : 2012, EN 60079-1 : 2007
- IECEx certificate: IECEx SIR 13.0029X, IEC 60079-0 : 2011 (Ed6), IEC 60079-1 : 2007 (Ed6)

## Coding

- II 2G Ex d IIC T4 Ta. -60° to +50°C
- II 2G Ex d IIC T3 Ta. -60° to +70°C
- II 2G Ex d IIB T6 Ta. -60° to +50°C
- II 2G Ex d IIB T5 Ta. -60° to +65°C
- II 2G Ex d IIB T4 Ta. -60° to +70°C





# VIMPEX

## Vimpex Limited

Star Lane, Great Wakering  
Essex SS3 0PJ England

Tel: +44 (0) 1702 216999

Fax: +44 (0) 1702 216699

E-mail: sales@vimpex.co.uk

[www.vimpex.co.uk](http://www.vimpex.co.uk)

### Specification

Maximum output:	117dB(A) @ 1 metre [108dB(A) @ 10ft/3m]
Nominal output:	110dB(A) @ 1m +/- 3dB - Tone 2 [101dB(A) @ 10ft/3m]
No. of tones:	45 (UKOOA / PFEER compliant)
No. of stages:	4
Volume control:	Max. 110dB(A); Min. 72dB(A) - Tone 2
Effective range:	100m/328ft @ 1KHz
Voltages DC:	24vdc (10-30vdc), 48vdc (38-60vdc)
Voltages AC:	230vac (100-260vac/dc)
Stage switching:	Negative or positive
Ingress protection:	IP66/67
Enclosure matl:	GRP (glass reinforced polyester)
Colour:	RAL3000 Red (others available on request)
Flare matl:	High impact UL94 V0 & 5VA FR ABS (Red)
Cable entries:	Dual M20 ISO
Terminals:	0.5 - 2.5mm <sup>2</sup> (20-14 AWG)
Enclosure volume:	<2 litres
Line monitoring:	Blocking diode included EOL Min. 500 Ohm 2w, or 3k3 Ohm 0.5w resistor or diode (DC versions) can be fitted
Weight:	DC: 3.00kg/6.6lbs AC: 3.20kg/7.04lbs

### Part Codes

Version:	Part code:	
Product type:	GNExS1	
Voltage:	DC024	10-30V dc
	DC048	38-60V dc
	AC230	110-240V ac
Stopping plug material: [m]	B	Brass
	N	Nickel Plated
	S	Stainless Steel
Bracket material: [s]	1	A2 304 Stainless Steel
	2	A4 316 Stainless Steel
Product version: [v]	A1	Approval to ATEX & IECEx (default)
Enclosure colour: [x]	R	Red
	S	Special colour - contact sales
Example:	GNExS1AC230[m][s][v][x] GNExS1AC230B1A1R	
	GNExS1 24vdc Brass stopping plug, 304 stainless steel mounting bracket, approved to ATEX & IECEx in a red housing.	

### Current Consumption

Version:	Voltage:	Current:
24V dc	10-30vdc	140mA @ 24vdc
48V dc	38-60vdc	73mA @ 48vdc
115V ac/dc 50/60Hz	100-260 vac/dc	86mA @ 115vac
230V ac/dc 50/60Hz	100-260 vac/dc	75mA @ 230vac

## Vimpex Limited

Star Lane, Great Wakering

Essex SS3 0PJ England

Tel: +44 (0) 1702 216999

Fax: +44 (0) 1702 216699

E-mail: sales@vimpex.co.uk

[www.vimpex.co.uk](http://www.vimpex.co.uk)

### Tone table

S 1	Description	S 2	S 3	S 4	S 1	Description	S 2	S 3	S 4
T 1	340 Hz Continuous	Any	T 5	T 29	T 33	745Hz @ 1Hz Intermittent	Any	T 5	T 29
T 2	800/1000Hz @ 0.25 sec Alternating	Any	T 5	T 45	T 34	1000 & 2000Hz @ 0.5 sec Alternating - Singapore	Any	T 45	T 37
T 3	500/1200Hz @ 0.3Hz 0.5 sec Slow Whoop	Any	T 5	T 29	T 35	420Hz @ 0.625 sec Australian Alert	Any	T 5	T 34
T 4	800/1000Hz @ 1Hz Sweeping	Any	T 5	T 34	T 36	500-1200Hz 3.75sec /0.25sec. Australian Evac.	Any	T 5	T 45
T 5	2400Hz Continuous	Any	T 20	T 29	T 37	1000Hz Continuous - PFEER Toxic Gas	Any	T 45	T 38
T 6	2400/2900Hz @ 7Hz Sweeping	Any	T 5	T 45	T 38	2000Hz Continuous	Any	T 45	T 37
T 7	2400/2900Hz @ 1Hz Sweeping	Any	T 5	T 45	T 39	800Hz 0.25sec on, 1 sec off Intermittent	Any	T 17	T 37
T 8	500/1200/500Hz @ 0.3Hz Sweeping	Any	T 5	T 45	T 40	544Hz (100mS)/440Hz (400mS) - NF S 32-001	Any	T 27	T 38
T 9	1200/500Hz @ 1Hz - DIN / PFEER P.T.A.P.	Any	T 2	T 38	T 41	Motor Siren - slow rise to 1200 Hz	Any	T 5	T 29
T 10	2400/2900Hz @ 2Hz Alternating	Any	T 5	T 45	T 42	Motor Siren - slow rise to 800 Hz	Any	T 5	T 29
T 11	1000Hz @ 1Hz Intermittent	Any	T 5	T 29	T 43	1200 Hz Continuous	Any	T 5	T 45
T 12	800/1000Hz @ 0.875Hz Alternating	Any	T 5	T 45	T 44	Motor Siren - slow rise to 2400 Hz	Any	T 5	T 34
T 13	2400Hz @ 1Hz Intermittent	Any	T 5	T 29	T 45	1KHz 1s on, 1s off Intermittent - PFEER Gen. ...	Any	T 34	T 37
T 14	800Hz 0.25sec on, 1 sec off Intermittent	Any	T 5	T 45					
T 15	800Hz Continuous	Any	T 5	T 34					
T 16	660Hz 150mS on, 150mS off Intermittent	Any	T 5	T 29					
T 17	554Hz (100mS)/440Hz (400mS) - NF S 32-001	Any	T 27	T 45					
T 18	660Hz 1.8sec on, 1.8sec off Intermittent	Any	T 5	T 45					
T 19	1.4KHz-1.6KHz 1s, 1.6KHz-1.4KHz 0.5s -NFC48265	Any	T 5	T 29					
T 20	660Hz Continuous	Any	T 5	T 34					
T 21	554Hz/440Hz @ 1Hz Alternating	Any	T 5	T 29					
T 22	544Hz @ 0.875 sec. Intermittent	Any	T 5	T 29					
T 23	800Hz @ 2 Hz Intermittent	Any	T 5	T 29					
T 24	800/1000Hz @ 50Hz Sweeping	Any	T 5	T 34					
T 25	2400/2900Hz @ 50Hz Sweeping	Any	T 5	T 45					
T 26	Bell	Any	T 15	T 34					
T 27	554Hz Continuous	Any	T 5	T 29					
T 28	440Hz Continuous	Any	T 5	T 45					
T 29	800/1000Hz @ 7Hz Sweeping	Any	T 5	T 45					
T 30	300Hz Continuous	Any	T 5	T 45					
T 31	660/1200Hz @ 1Hz Sweeping	Any	T 5	T 29					
T 32	Two T chime.	Any	T 15	T 45					