

# GNExCP6A-BG Break Glass

## Manual Call Point.

The GNExCP6A manual call points are available as break glass, push button or tool reset versions. They are approved for Zone 1, 2, 21 and 22 hazardous areas for the control of fire and gas alarm systems.

Available with either single or double pole change over switches. All versions are certified to ATEX and IECEx standards.

### Options

- Alternative housing colours are available to meet specific requirements.
- Single or double pole c/o switch.
- Metalised polyester or stainless steel "Duty" label.

### Approvals

- ATEX certificate: Sira 09ATEX3286X,  
IEC 60079-0:2007 Ed 5, EN 60079-1:2004,  
EN 60079-7:2007, IEC 60079-18:2009 Ed 3,  
EN 61241-1:2004
- IECEx certificate: IECEx SIR 09.012 1X,  
IEC 60079-0:2007-10 Edition: 5,  
IEC 60079-1:2003 Edition: 5,  
IEC 60079-18:2009 Edition: 3,  
IEC 60079-7:2006-07 Edition: 4,  
IEC 61241-1:2004 Edition: 1



## Vimpex Limited

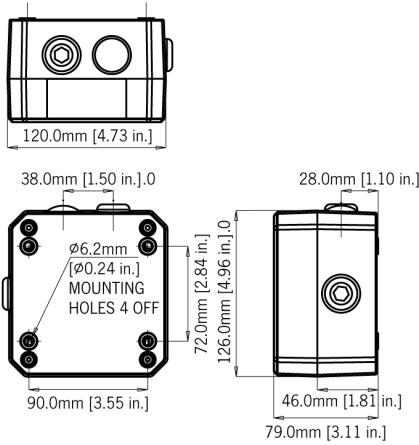
Star Lane, Great Wakering  
Essex SS3 0PJ England

Tel: +44 (0) 1702 216999

Fax: +44 (0) 1702 216699

E-mail: sales@vimpex.co.uk

[www.vimpex.co.uk](http://www.vimpex.co.uk)



### Specification

GNEXP6A:	II 2G Ex e d IIC T6 Gb II 2D Ex t IIIC T60°C Db IP66
Ambient:	Ta = -40°C to +55°C [-40° to +131°F]
Ingress protection:	IP66
Housing material:	GRP - glass reinforced polyester (UV stable)
Colour:	RAL3000 Red (others available on request)
Cable entries:	2 x M20 clearance top and 1 x M20 clearance side. Back box can be rotated to give 2 x bottom and 1 x side entries.
Stopping plugs:	2 x Ex e nylon plugs as standard Brass and stainless steel plugs optional
Terminals:	6 x 4.0mm <sup>2</sup> cables.
Test:	Test key facility
Weight:	1.2Kg/2.64lbs
<b>Note:</b>	For applications requiring monitoring resistors, diodes or indicator LED's please see the GNEXP6B-BG version. Data sheet reference: 1.3.07.

### Part Codes

Version:	Part code:	
Product type:	GNEXP6A-BG	A type - no end of line devices
Switch Type: [s]	S	SPCO
	D	DPCO
Stopping	N	Nylon
plug material: [m]	B	Brass
	P	Nickel Plated
	S	Stainless Steel
Lift flap: [l]	L	Lift flap
	N	No lift flap
Duty label [d]:	N	No duty label
	P	Metalised Polyester
	S	Stainless Steel
Enclosure colour: [x]	RD	Red
	BL	Blue
	GN	Green
	YW	Yellow
	RW	Red/White
	YB	Yellow/Black
	BK	Black
Example:	GNEXP6A-BG [s][m][l][d][x]	
	GNEXP6A-BG-S-N-N-RD	
	GNEXP6A call point - Break Glass type	
	- Single Pole switch - Nylon stopping plugs - No Lift flap	
	- No duty label required - Red colour housing	

### Versions

Version:	Voltage:	Switch rating:	Terminals:	Cable entries:
GNEXP6A	250V ac Max. 5.0A Max. 50V dc Max. 1.0A Max.		6 x 4mm <sup>2</sup>	2 x M20 Top/Bottom 1 x M20 Left/Right
<b>Coding:</b>	II 2G Ex e d IIC T6 Gb Ta = -40°C to +55°C II 2D Ex t IIIC T60°C Db IP66			