

Remote Indicator



Designed for fire detection systems requiring local indication of an individual or group of fire detectors in alarm mode, the VRLU indicator utilises an ultra-bright LED with a wide range of illumination.

The VRLU remote indicator is able to operate with many types of conventional and analogue addressable fire detectors, frequently eliminating the requirement to stock two types of indicator. The VRLU may also be used for other applications requiring a local visual indicator. A purpose-made back box is available as a complete unit.



Remote Indicator with Back Box

Specification

Part Numbers:	VRLU VRLU-VMB (with back box)
Operating Voltage Range:	5-28 V dc

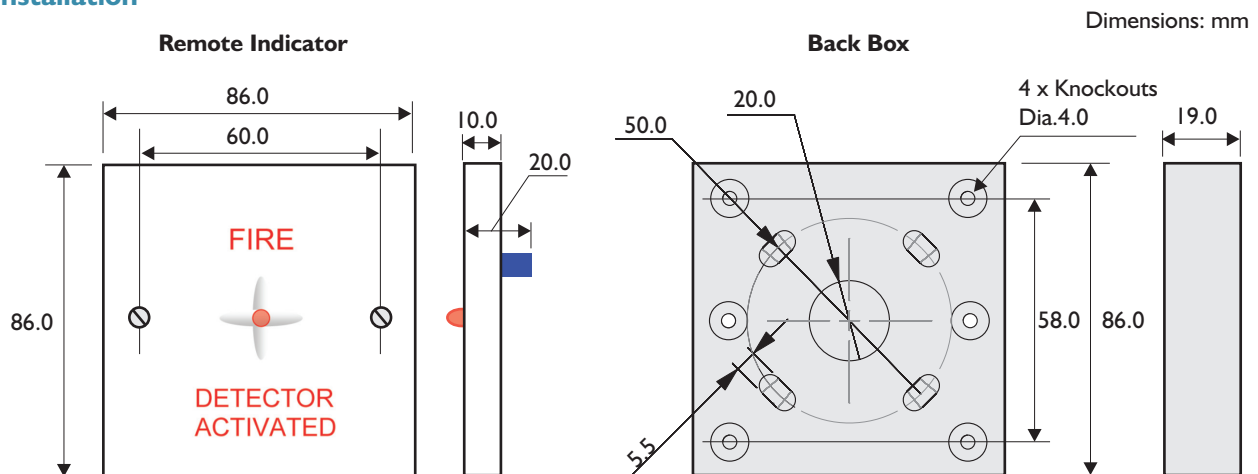
Electrical Configuration

System	Resistance	Terminals	Current
Conventional	1000 Ohm	1,3	23 mA @ 24 V
Addressable	0	2,3	28 mA Max.

Standards

- BS EN 55022:2006 Emissions Standard

Installation



Vimpex Limited

Star Lane, Great Wakering
Essex SS3 0PJ England
Tel: +44 (0) 1702 216999
Fax: +44 (0) 1702 216699
E-mail: sales@vimpex.co.uk
www.vimpex.co.uk



Assessed to ISO 9001
Cert/LPCB ref. 456



Shaping Alarm Technology