

VX5 Strobe Lights

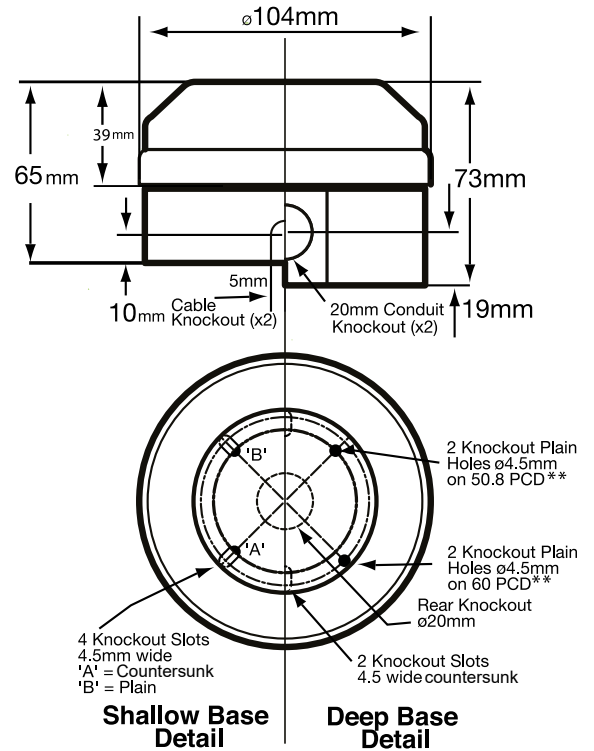
The VX5 is part of the comprehensive VX range of Xenon strobes. The VX5 provides a high light output for local signalling applications where light coverage is the key factor.

Xenon beacons are one of the most efficient, effective and brightest visual signals available. The VX5 series offers both shallow base and deep base options - the deep base version having side entry as well as bottom entry.

The device is suitable for many varied applications, can operate in a wide temperature range and is suitable for both indoor and outdoor environments.

Features

- Non-obtrusive design
- Wide operating voltage in both A.C. and D.C. categories
- Suitable for indoor and outdoor applications
- Consistent and even light distribution
- Deep and shallow base options available
- Deep base fitted with 20mm knockouts



Specification

**PCD - Pitch Circle Diameter

Product Code	Description	Colours Available	Weight	Voltage	Output	Flashes Per Minute (FPM)	Current (Max.)	Temp. Range	IP Rating
VX5-28-SB-*	Xenon beacon, Shallow Base	● ● ● ● ○	180g	15-28 Vac/Vdc	5W	60 (FPM)	310 mA	-20 to +55°C	65
VX5-28-DB-*	Xenon beacon, Deep Base with 20mm knockouts	● ● ● ● ○	260g	15-28 Vac/Vdc	5W	60 (FPM)	310 mA	-20 to +55°C	65

*Add the following lens codes to the product code when ordering:

Amber ● = A, Red ● = R, Blue ● = B, Green ● = G, White ○ = W

Vimpex Ltd

Star Lane, Great Wakering
Essex SS3 0PJ England
Tel: +44 (0) 1702 216999
E-mail: sales@vimpex.co.uk
www.vimpex.co.uk

