



# SYSTEM CONNECTION BOX CABLE JUNCTION AND TERMINATION

A product designed to junction and terminate fire rated cabling.

A robust connection box enabling installers and designers to extend system wiring to additional Identifire or third party products. The product is in a single gang format for consistency with the wider range.

As with all Identifire products, this product is designed to fit any recessed single gang box, giving a flush finish or surface mounted using the Identifire surface box.

Body colours available are Red and White.

The Connection Box can be customised with your choice of logo and text in any language\*

## FEATURES

- Consistent Identifire design
- Available in Red or White
- Features 4 x 20 mm knockouts for surface and glanded entry
- Simple installation for new or retrofit applications

## SPECIFICATION

Mechanical Design	Back box dimensions 100 x 89 mm
Weight	0.06 kg
Material	Fire rated ABS

## PART CODE

Part Code	Part Name
10-241ORSX-S**	Identifire Alarm System Connection Box, Surface Mount, Red
10-241OWSX-S**	Identifire Alarm System Connection Box, Surface Mount, White
10-241ORFX-S**	Identifire Alarm System Connection Box, Flush Mount, Red
10-241OWFX-S**	Identifire Alarm System Connection Box, Flush Mount, White

\*\* '-S' denotes single packed and boxed units. Multi packs available on request.



2 Wire  
Compatible

\*Minimum order quantities / setup charge may apply

Identifire product is compatible with 2 wire fire alarm systems.  
List of compatible control panels available.



FLUSH MOUNTED



SURFACE MOUNTED

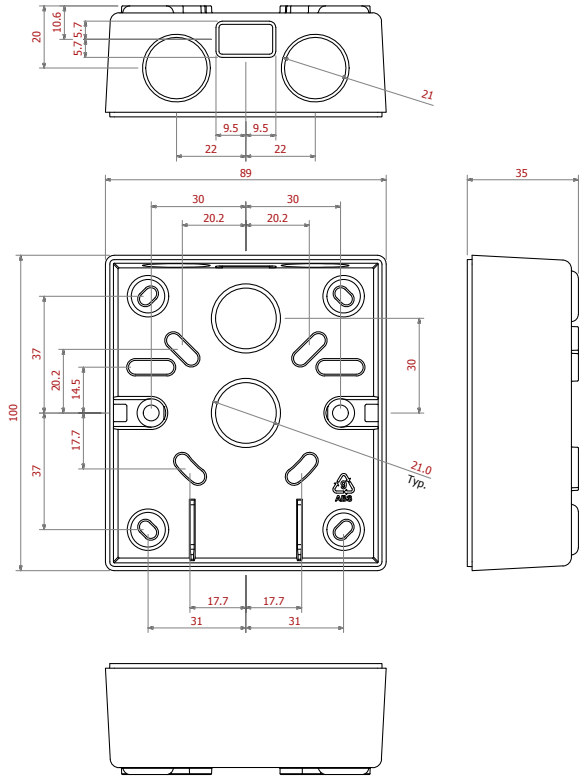


# SYSTEM CONNECTION BOX

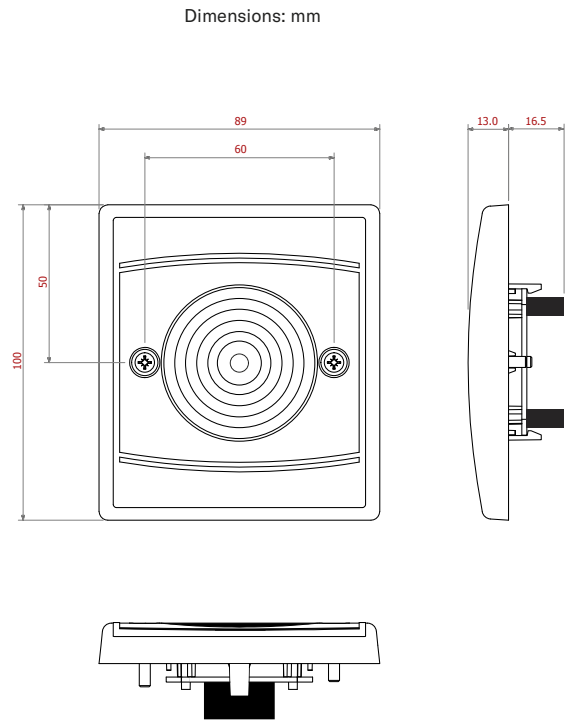
## CABLE JUNCTION AND TERMINATION

TECHNICAL DRAWING

BACK BOX



CABLE JUNCTION AND TERMINATION BOX



DS/3700037/ISS 3

We reserve the right to change or amend any design or specification in line with our policy of continuing development and improvement.

**Vimpex LTD**  
 Star Lane, Great Wakering,  
 Essex SS3 0PJ, UK  
 t. +44 (0) 1702 216999  
 e. sales@vimpex.co.uk  
[www.vimpex.co.uk](http://www.vimpex.co.uk)

**Vimpex Interguard AB**  
 t. +46 (0) 36 37 10 65  
 e. sales@vimpex.se



Quality System Certificate No. 456  
 Assessed to ISO 9001