

# MIDI FIRE-CRYER® PLUS HIGH OUTPUT VOICE SOUNDER

High-powered voice sounder designed for environments such as industrial applications, large open spaces, warehouses, factories and areas of public gathering or transit.

Requiring no special wiring and retrofittable to existing installations. Fully synchronised units can be used as a replacement for electronic sounders or bells to broadcast a clear message for any situation - evacuation, chemical spills, lockdown, security or general information.

Where staged alarm or phased evacuation is required the addition of message controllers to allow up to 7 different messages to be broadcast across multiple zones on just 2 wires.

Choose from our standard message sets on page 3

## FEATURES

- High Output up to 110 dB(A) @ 1 Metre (Tone dependant)
- Corrosion proof IP 66 rated enclosure
- Unit can be mounted using external lugs or internal BESA compatible fixing
- Duplicate cable terminations (in & out for daisy-chain installations) with single glanded entry

## PART NUMBERS - ACCESSORIES

- FC3/ZEP: Zone Extension PCB (Can only be used with Message Controller)
- FC3/EP2: Extinguishant Interface for use with Sigma XT Panels
- VMC/02/01/05/M3: Boxed Message Controller with FC3/MMSP+FC3/ZEP+5.25A PSU)
- VMC/02/02/02/M2: Boxed Message Controller with FC3/MMSP+2.5A PSU)

## PART NUMBERS - SOUNDER

- FC3/F/R/0/0: Midi Fire-Cryer Plus



## SPECIFICATION

Tone Maximum output	110 dB(A) @ 1 metre*
Voice: Maximum output	102 dB(A) @ 1 metre*
Voice Volume Adjustment	94 dB(A) – 102 dB(A)*
Nominal Voltages DC	24 V dc
Nominal Current @ 24V	100 mA Average / 180 mA Peak*
Voltage Range DC	20 V dc – 28 V dc
Ingress protection	IP 66
Housing material	High impact UL94 V0 & 5VA FR ABS
Colour	Red (RAL3000)
Cable entries	1 x M 20 threaded gland entry 1 x M 20 knockout entry at rear
Terminals	0.5 mm <sup>2</sup> – 2.5 mm <sup>2</sup> cables.
Operating temp	-25°C to +55°C
Storage temp	-40°C to +70°C
Relative humidity	90% at 20°C
Weight	1.80 kg/3.96 lbs

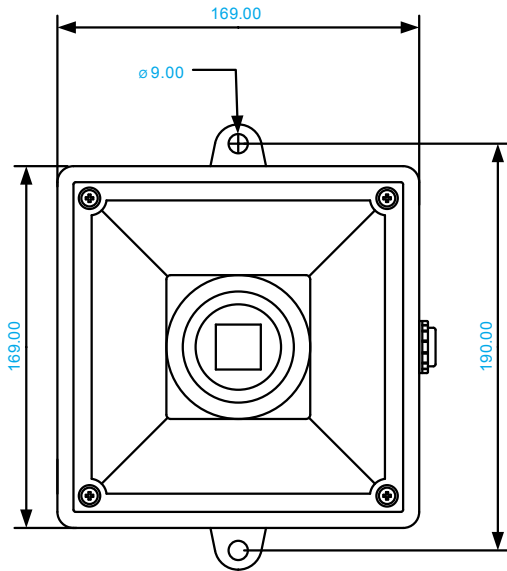
SPL Data +/- 3dB(A)

\* Current, dB(A) and sound outputs dependant on tone and message selection

# MIDI FIRE-CRYER® PLUS

## HIGH OUTPUT VOICE SOUNDER

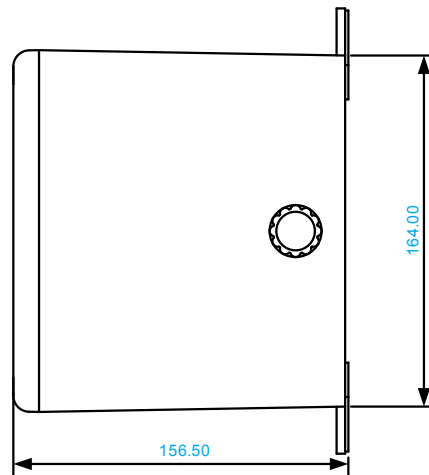
### INSTALLATION



Midi Fire-Cryer Plus

Part Ref: FC3/F/R/0/0

All dimensions in mm



# FIRE-CRYER MESSAGE LISTS

## OPTION A (FIRE)

	Tone Number	Strobe Y/N	Voice Announcement
First Message	2C	Y	"Fire emergency. Please remain calm and evacuate the building immediately".
Second Message	2P	Y	"This is a fire alert. This is a fire alert. Await further instructions".
Third Message	50	N	"This is a fire alarm test. No action required. No action required".
Fourth Message	0	N	"All clear. All clear. No action required".
Fifth Message	32C	Y	"A full lockdown is in operation. Please follow full lockdown procedure".
Sixth Message	2C	Y	"Ladies and gentlemen – due to unforeseen circumstances we must ask you to leave the building immediately by the nearest exit or as directed by members of staff".
Seventh Message	32C	Y	"This is a fire alarm! Please leave the building immediately by the nearest available exit".
Order Reference	OPTION A (FIRE)		

## OPTION B (LOCKDOWN)

	Tone Number	Strobe Y/N	Voice Announcement
First Message	2C	Y	"Fire emergency. Please remain calm and evacuate the building immediately".
Second Message	32C	Y	"A full lockdown is in operation. Please follow full lockdown procedure".
Third Message	32P	Y	"A partial lockdown is in operation. Please follow partial lockdown procedure".
Fourth Message	0	N	"Lockdown over".
Fifth Message	32P	N	"This is a class change announcement".
Sixth Message	50	N	"Staff Call 100".
Seventh Message	32P	N	"This is a Partial Lockdown Alarm".
Order Reference	OPTION B (LOCKDOWN)		

## OPTION C (BUILDING PROTECTION)

	Tone Number	Strobe Y/N	Voice Announcement
First Message	0	Y	"This site is private property. You are being recorded by CCTV cameras and the police have been contacted".
Second Message	0	N	"Attention, the intruder alarm is about to be set and all the lights will be turned off".
Third Message	0	N	"Staff Call 100. Staff Call 100".
Fourth Message	2C	Y	"You have been identified as an intruder, please leave the area immediately".
Fifth Message	2C	Y	"Please stand still. The security fogging system has activated and the emergency services have been called. Breathe normally and await further instruction".
Sixth Message	0	Y	"Attention! Fire shutter closing".
Seventh Message	32P	N	"Warning. Fire curtain closing. Please stand clear".
Order Reference	OPTION C (BUILDING PROTECTION)		

## TONES KEY

Tone Number	Tone Description
2C	Banshee Continuous
2P	Banshee Pulsed
32P	Bell Tone Pulsed
32C	Bell Tone Continuous
50	Ping Pong Tone
0	No Tone

DS/3700030/ISS 3

We reserve the right to change or amend any design or specification in line with our policy of continuing development and improvement.

### Vimpex LTD

Star Lane, Great Wakering,  
Essex SS3 0PJ, UK  
t. +44 (0) 1702 216999  
e. sales@vimpex.co.uk  
[www.vimpex.co.uk](http://www.vimpex.co.uk)

### Vimpex Interguard AB

t. +46 (0) 36 37 10 65  
e. sales@vimpex.se



Quality System Certificate No. 456  
Assessed to ISO 9001