

TECHNICAL DATASHEET

STANDARD DOOR HOLDERS



Arguably the single most important fire safety mechanism, electromagnetic door holders guard against the lethal spread of toxic smoke and fumes - by far the greatest cause of death in fires.

The VimpeX EN 1155 approved standard range of door holders offers the installer a choice of mounting styles, holding power and installation accessories.

Mounted onto a fixed surface, these door holders ensure retention of the fire door by means of a smart metallic keeper plate. Interfaced with the fire alarm system, the door holders are deenergised as soon as the fire is detected thus releasing the door without the potentially harmful delay suffered by other types of devices.



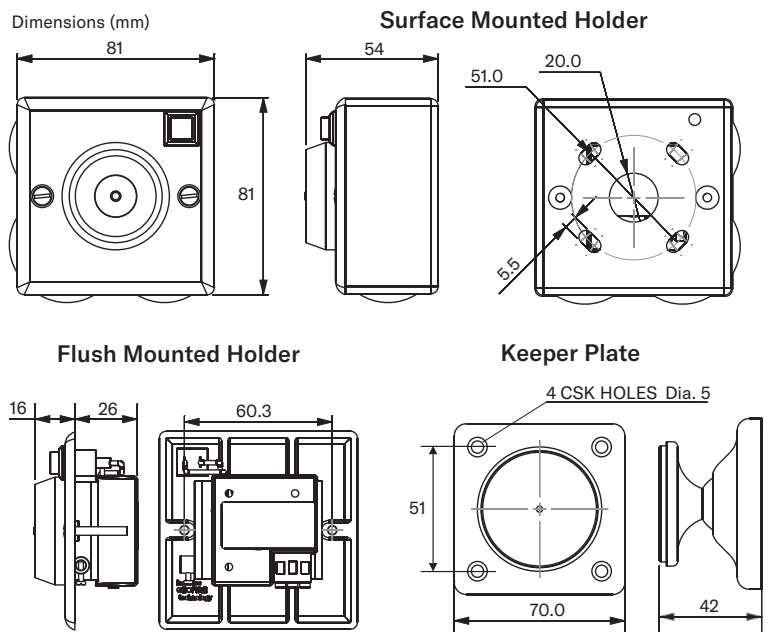
FEATURES

- Supplied as standard with 200N holding force
- Attractive finish, featuring a strengthened cast back box
- Metal enclosure means no heat fatigue
- Available in 230 V ac and 24 V dc
- Flush mounted versions and units with a greater holding force also available
- Manual release button
- Approved to EN 1155 and CE marked

PART NUMBERS - SPARES & ACCESSORIES

- DH/KP/STND: Standard Swivel Keeper Plate
- DH/FB: Floor Mounting Bracket
- DH/KP/LP/500: Low Profile Keeper Plate
- DH/CHO: Keeper Plate with Extension Chain and Rubber Ring
- A full range of compatible 24 V dc power supplies

INSTALLATION



SPECIFICATION

Part Number	Description	Rated Voltage	Nominal Current	Holding Force	Temperature Range	IP Rating	Door Closure Power Size	Weight
DH/S/24	Surface DC	24 V dc	50 mA	200N	0-40°C	N/A	3 to 6	530 g
DH/F/24	Flush DC	24 V dc	50 mA	200N	0-40°C	N/A	3 to 6	530 g
DH/S/230	Surface AC	230 V ac	12 mA	200N	0-40°C	N/A	3 to 6	530 g
DH/F/230	Flush AC	230 V ac	12 mA	200N	0-40°C	N/A	3 to 6	530 g

DS/3700053/ISS 3

We reserve the right to change or amend any design or specification in line with our policy of continuing development and improvement.

Vimpex LTD
 Star Lane, Great Wakering,
 Essex SS3 0PJ, UK
 t. +44 (0) 1702 216999
 e. sales@vimpex.co.uk
www.vimpex.co.uk

Vimpex Interguard AB
 t. +46 (0) 36 37 10 65
 e. sales@vimpex.se



Quality System Certificate No. 456
 Assessed to ISO 9001