

The Identifire Auxiliary Relay range is a convenient way to control third-party components and system ancillaries. Ideal for a wide range of applications including controlling door hold open devices, access control interfacing, smoke ventilation and general switching of mains voltage and higher current equipment.

For flexibility the range includes units that can be activated by either 12 V or 24 V dc, allowing them to be used in fire, security and many low voltage applications. A switching capability of up to 230 V ac combined with a dual pole switching capability, allows for the safe control of mains voltage equipment.

The units have the same look and innovative features as the other products in the Identifire range, designed to fit the majority of recessed single gang box for flush mounting or surface mounted using an Identifire dedicated backbox. All versions are available in red or white and feature a red LED which gives clear indication when the unit has been activated. As with the entire Identifire range the units can be branded with a company logo or unique text labelling to add that extra professional look*



Specification

Trigger Voltage (Typical)**

10-2610XXX	24 V dc (2 A)
10-2710XXX	24 V dc (5/8 A)
10-2810XXX	12 V dc (2 A)
10-2510XXX	12 V dc (5/8 A)

Trigger Current (Typical)**

10-2610XXX	23 mA
10-2710XXX	25 mA
10-2810XXX	31 mA
10-2510XXX	44 mA

Contact Specification (Resistive)

10-2610XXX	2 A @ 30 V dc
10-2710XXX	5 A @ 30 V dc
	8 A @ 30 V dc
10-2810XXX	2 A @ 230 V ac
10-2510XXX	5 A @ 30 V dc
	8 A @ 230 V dc

Humidity 95% Non-Condensing

Housing Material Fire Rated ABS

Temperature Range -5° to +50° C

Colour Red and White

Mounting Options Flush/Surface

Environmental Rating IP21

IDENTIFIRE

Features

- / Flush or surfaced mounted options
- / Mains voltage switching capability
- / 4 x 20 mm knockouts for surface and glanded cable entry
- / Terminals to allow daisy chaining of multiple units
- / Dual pole relays and additional terminals allow safe management of earth and neutral cabling when switching mains voltages
- / Bright LED indicating unit activation
- / Customisable with company branding of specialist text*
- / Consistent look and feel to all other Identifire products

*Minimum order quantities / setup charge may apply

** For minimum and maximum currents and voltage please refer to installation instructions

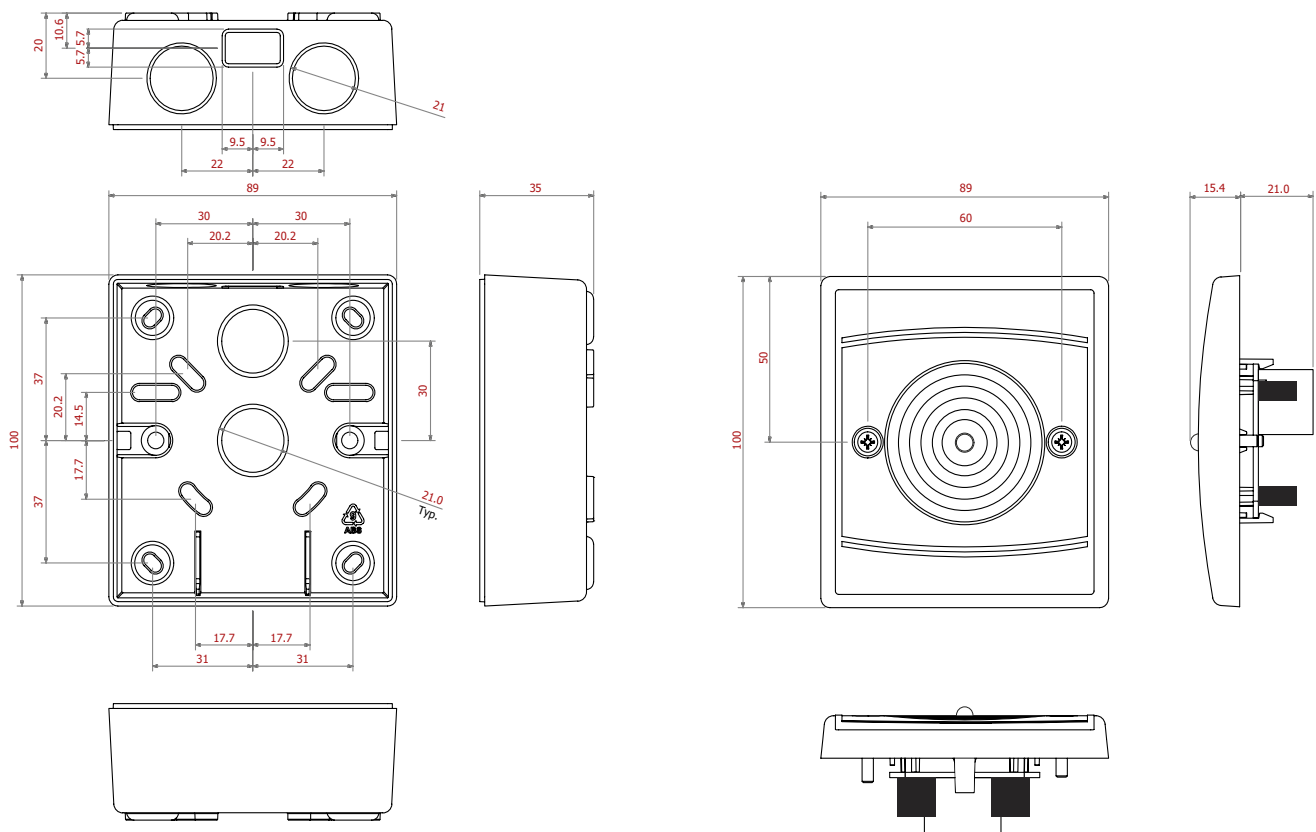
Part Numbers

Relay	Part Number	Description
	10-2710RFR-S	Identifire Aux 24 V Relay Flush - 5/8 A - Red
	10-2710RSR-S	Identifire Aux 24 V Relay Surface - 5/8 A - Red
	10-2710WFR-S	Identifire Aux 24 V Relay Flush - 5/8 A - White
	10-2710WSR-S	Identifire Aux 24 V Relay Surface - 5/8 A - White
	10-2510WFR-S	Identifire Aux 12 V Relay Flush - 5/8 A - White
	10-2510WSR-S	Identifire Aux 12 V Relay Surface - 5/8 A - White
	10-2610RFR-S	Identifire Aux 24 V Relay Flush - 2 A - Red
	10-2610RSR-S	Identifire Aux 24 V Relay Surface - 2 A - Red
	10-2610WFR-S	Identifire Aux 24 V Relay Flush - 2 A - White
	10-2610WSR-S	Identifire Aux 24 V Relay Surface - 2 A - White
	10-2810WFR-S	Identifire Aux 12 V Relay Flush - 2 A - White
	10-2810WSR-S	Identifire Aux 12 V Relay Surface - 2 A - White

Spares & Accessories	Part Number	Description
	10-8010RXX	Identifire Back Box, Red
	10-8010WXX	Identifire Back Box, White

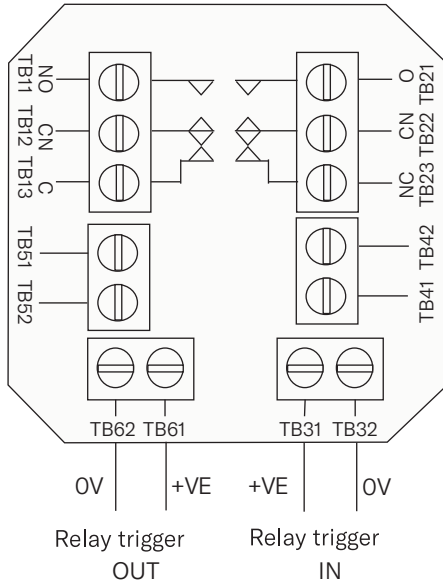
***-S denotes single packed and boxed units. Multi-packs available on request.

Dimensions

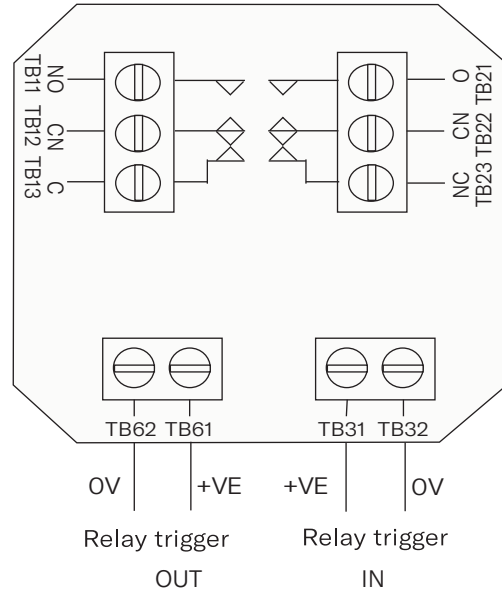


Wiring

TB11 & TB21 - NO
 TB12 & TB22 - C
 TB13 & TB23 - NC



TB11 & TB21 - NO
 TB12 & TB22 - C
 TB13 & TB23 - NC



3700151_REV0100
 We reserve the right to change or amend any design or specification in line with our policy of continuing development and improvement.

Vimpex Ltd, Star Lane, Great Wakering, Essex, SS3 0PJ, UK
 Vimpex Europe BV / Vimpex Sweden AB / Vimpex Safety Products Limited

+44 (0) 1702 216 999 / sales@vimpex.co.uk / vimpex.co.uk

Registered in England No.2915112 Registered Address: Star Lane, Great Wakering, Essex, SS30PJ, United Kingdom



Quality System Certificate No. 456
 Assessed to ISO 9001