

MINI FIRE-CRYER SOLO

EN 54-3 APPROVED VOICE SOUNDER

The EN 54-3 approved Fire-Cryer Solo model FCS/C is a slimline voice sounder for discrete mounting under fire detectors.

Requiring no special wiring can be retrofitted to existing sounder / notification circuits. Fully synchronised it has an exceptionally low current consumption. Can be used as a replacement for electronic sounders or bells.

Can be configured for export and resellers with selectable languages.

FEATURES

- Sound output - 90 dB(A)
- Ultra-Slim base sounder to fit industry-standard detectors
- Omni-directional sound output
- Installer-friendly connections
- Suitable for ceiling or wall mounting
- Optional front plate for stand-alone use
- No special wiring, easily retro-fitted
- Approved to EN 54-3

APPROVALS

Approved to EN 54-3



PART NUMBERS - SOUNDER

- FC3/C: Colour - White

FIRE CRYER[®] SOLO



SPECIFICATION

Operating Voltage	20-28 V dc
Current @ 24 V dc, Peak/Avg	27/20 mA
Effective Sound Output (Typical)	
- Alert Fast Sweep tone to BS5839	90 dB (A)*
- Voice	86 dB (A)**
Volume Adjustment from minimum output to maximum output - 18 dB(A)	72 to 90 dB(A)
Weatherproofing	Internal use only
Housing Material	ABS
Temperature Range	-10°C to +55°C
Colour	White
Connections	Screw TB 1.5 mm ²

Note:

*Tone output may vary depending on chosen sound

**Voice output may vary due to the nature of human speech

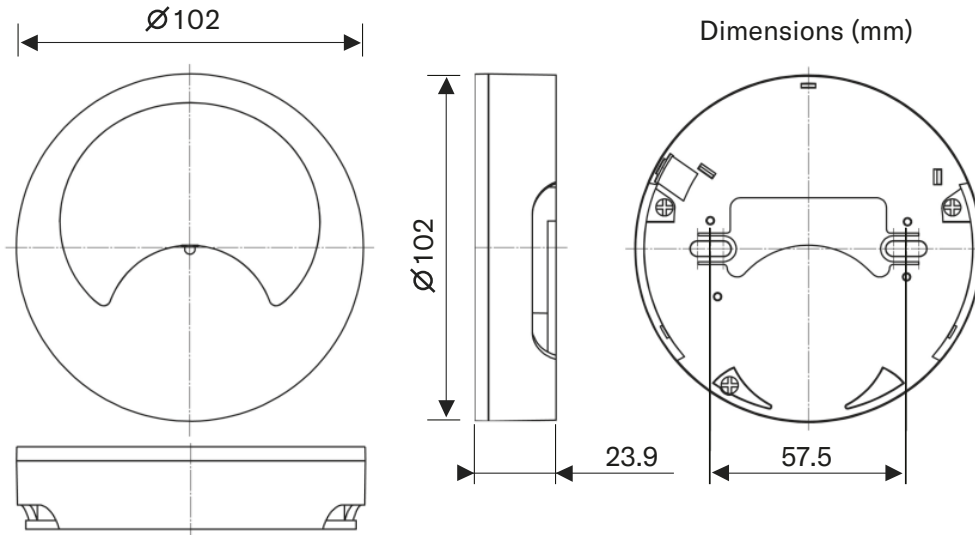
MESSAGE

“Fire emergency. Please remain calm and evacuate the building immediately”

MINI FIRE-CRYER SOLO

EN 54-3 APPROVED VOICE SOUNDER

INSTALLATION



DS/3700065/ISS 4

We reserve the right to change or amend any design or specification in line with our policy of continuing development and improvement.

Vimpex LTD
 Star Lane, Great Wakering,
 Essex SS3 0PJ, UK
 t. +44 (0) 1702 216999
 e. sales@vimpex.co.uk
www.vimpex.co.uk

Vimpex Interguard AB
 t. +46 (0) 36 37 10 65
 e. sales@vimpex.se



Quality System Certificate No. 456
 Assessed to ISO 9001