

SMART+ENVIRO PROTECTIVE COVER

Manufactured in the UK by VimpeX, Smart+Enviro is a tough polycarbonate hinged protective cover that can easily be installed over a range of call points, emergency switches and other devices to provide protection from vandalism, accidental damage or misuse. It has been designed and engineered to provide protection for devices exposed to hostile environments.

The Smart+Enviro can also be fitted with an integral battery powered alarm, that when lifted emits an ear piercing 90 dB alarm, warning the user that the device is for emergency use only and should not be tampered with.

Applications include off-shore, the food and beverage industry, swimming pools and leisure centres, underground installations and any area where exposure to the environment is likely to cause damage to control equipment or switching devices.

FEATURES

- Aesthetically pleasing but tough retrofitable protective cover
- Easy to install the Smart+Enviro can be fitted and protecting devices in minutes
- Optional battery powered 90 dB alarm increases the security and protection
- Alarmed Smart+Enviro has a 3 year battery life and incorporates a low battery warning LED
- A break seal can also be fitted to increase the visible deterrence against misuse
- Available in 5 colours: red, green, yellow, blue and white
- Three surface mounting spacers are available 18 mm, 32 mm (standard) and 50 mm

PART NUMBERS

Part No:

SGE-F-x	Indoor, No Sounder, Flush Mounting
SGE-S-x	Indoor, No Sounder, Surface Mounting
SGE-FS-x	Indoor, Integral Sounder, Flush Mounting
SGE-SS-x	Indoor, Integral Sounder, Surface Mounting
SG-SMS18	Surface Mounting Spacer 18mm Deep
SG-SMS32	Surface Mounting Spacer 32mm Deep
(Supplied as standard with surface mount models)	
SG-SMS50	Surface Mounting Spacer 50mm Deep

x = R for Red, Y for Yellow, G for Green, B for Blue, W for White

SPARES AND SERVICE REPLACEMENTS

Part No:

SG-BS10	Smart+Guard Break Seals, Pack of 10
SG-SP5	Smart+Guard Service Pins, Pack of 5
SG-WK001	Smart+Guard Surface Mount Weatherproof Kit (2 x Gaskets)



Break seal component for added security

Optional threaded insert provides various weatherproof installation options



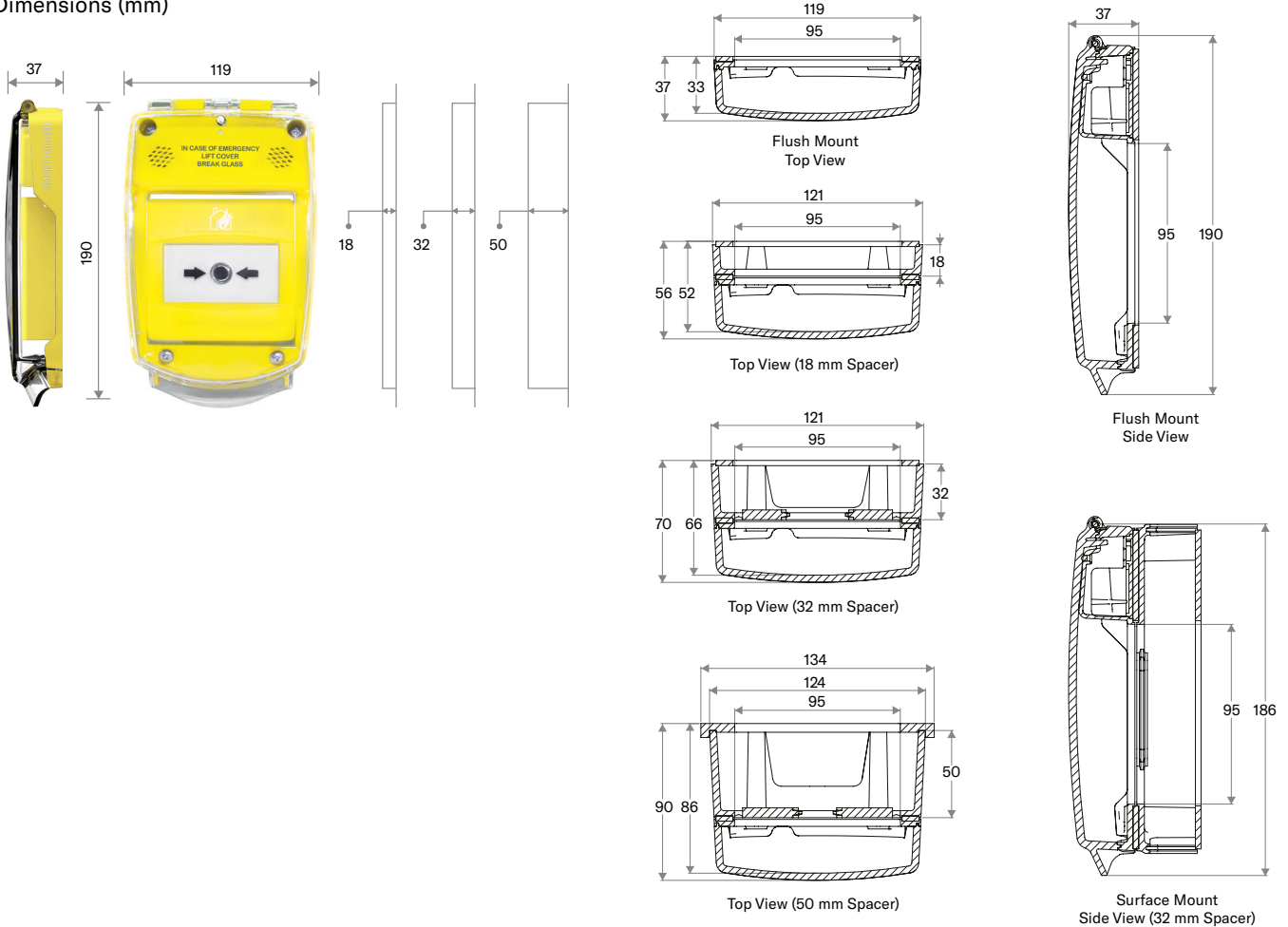
COLOURS



**SMART+ENVIRO
PROTECTIVE COVER**

INSTALLATION

Dimensions (mm)



DS/3700060/ISS 5

We reserve the right to change or amend any design or specification in line with our policy of continuing development and improvement.

Vimpex LTD
Star Lane, Great Wakering,
Essex SS3 0PJ, UK
t. +44 (0) 1702 216999
e. sales@vimpex.co.uk
www.vimpex.co.uk

Vimpex Interguard AB
t. +46 (0) 36 37 10 65
e. sales@vimpex.se



Quality System Certificate No. 456
Assessed to ISO 9001